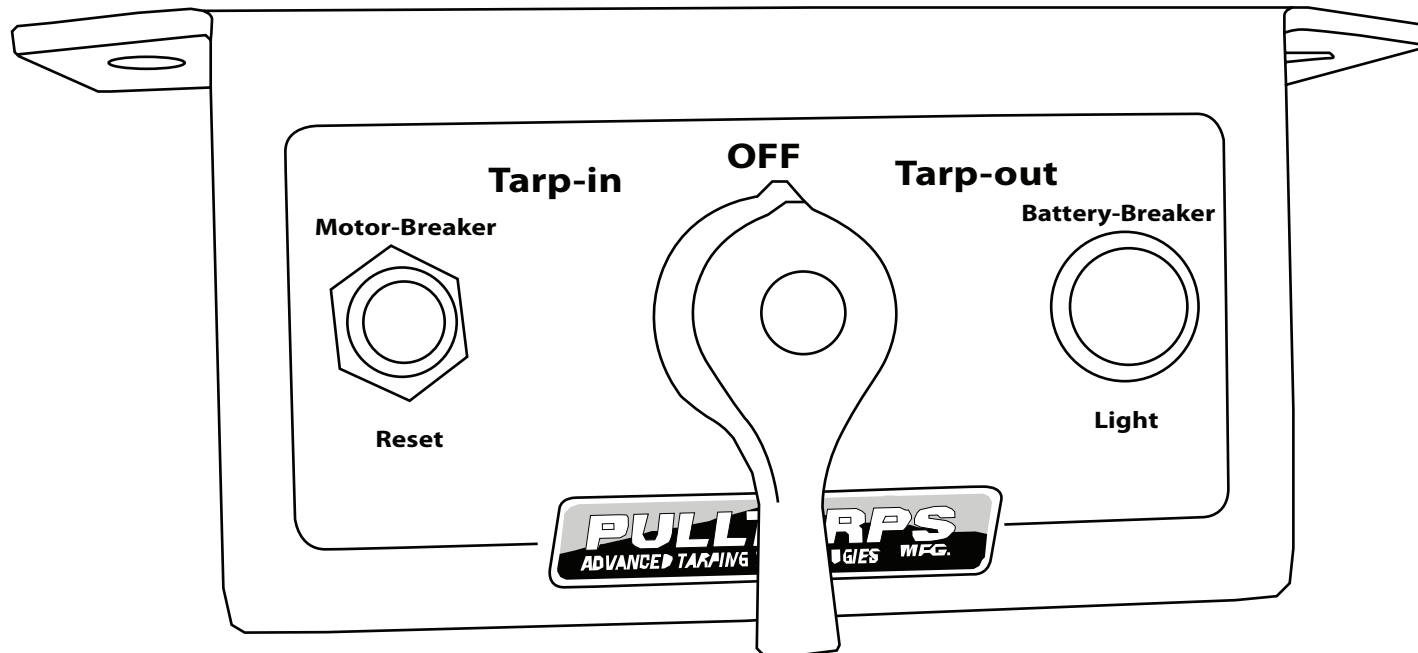
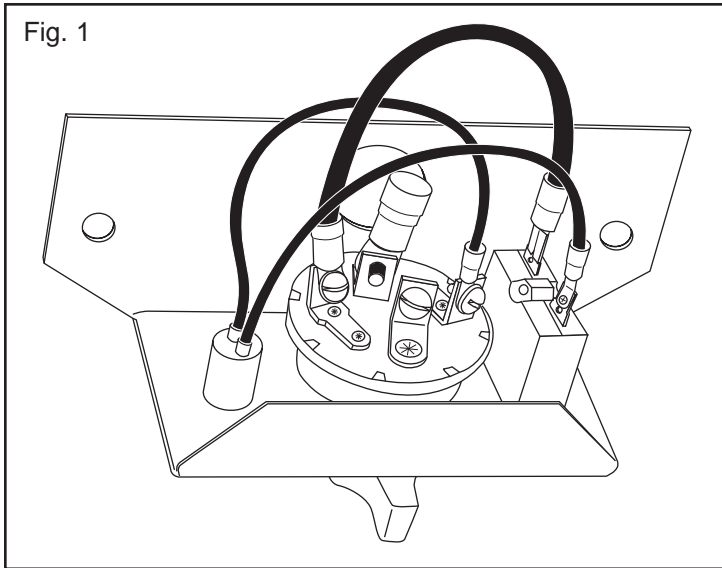


# 40 Amp Electrical Switch Assembly Enclosed - (514-0103)

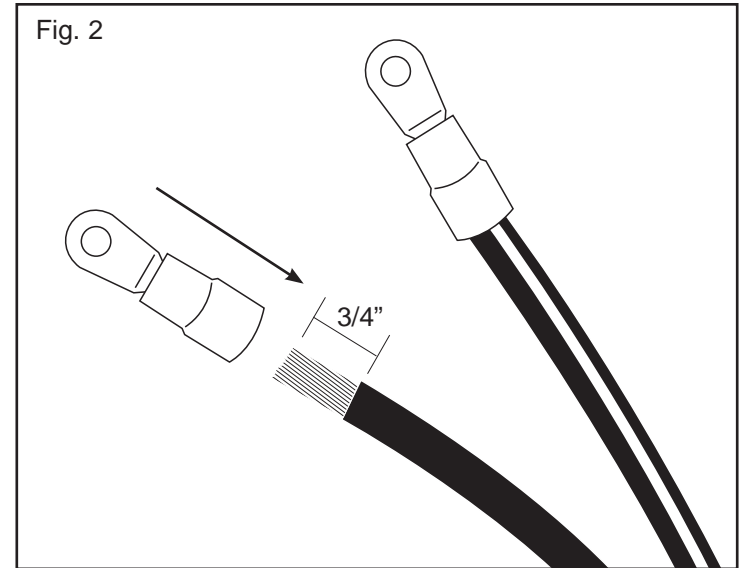
## Wiring Instructions



1404 N. Marshall Ave, El Cajon, CA 92020  
For Technical Assistance  
Call Toll Free: (800) 368-3075



The switch panel (514-0103) comes assembled as shown in Fig. 1.

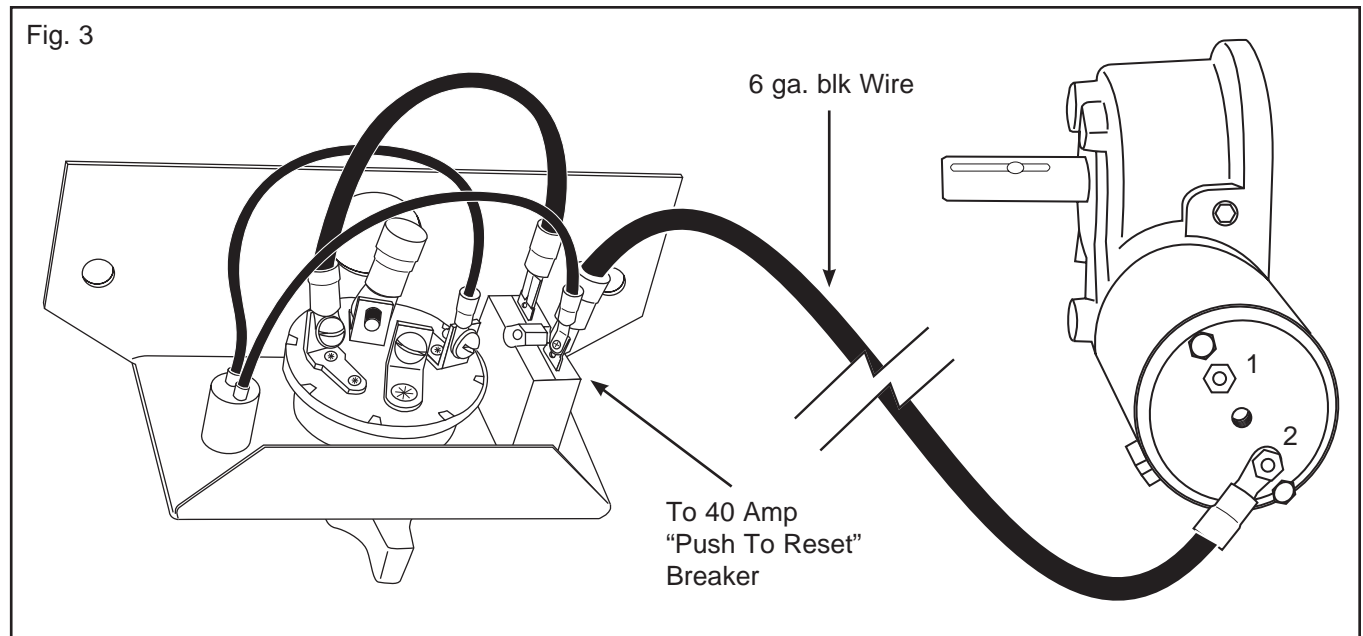


**Step 2. Attaching The Connectors**

Strip the ends of the 6 ga. wire approximately 3/4" and attach the light blue connectors (see Fig. 2) using a pair of wire crimpers. The dark blue connectors will be used on the battery.

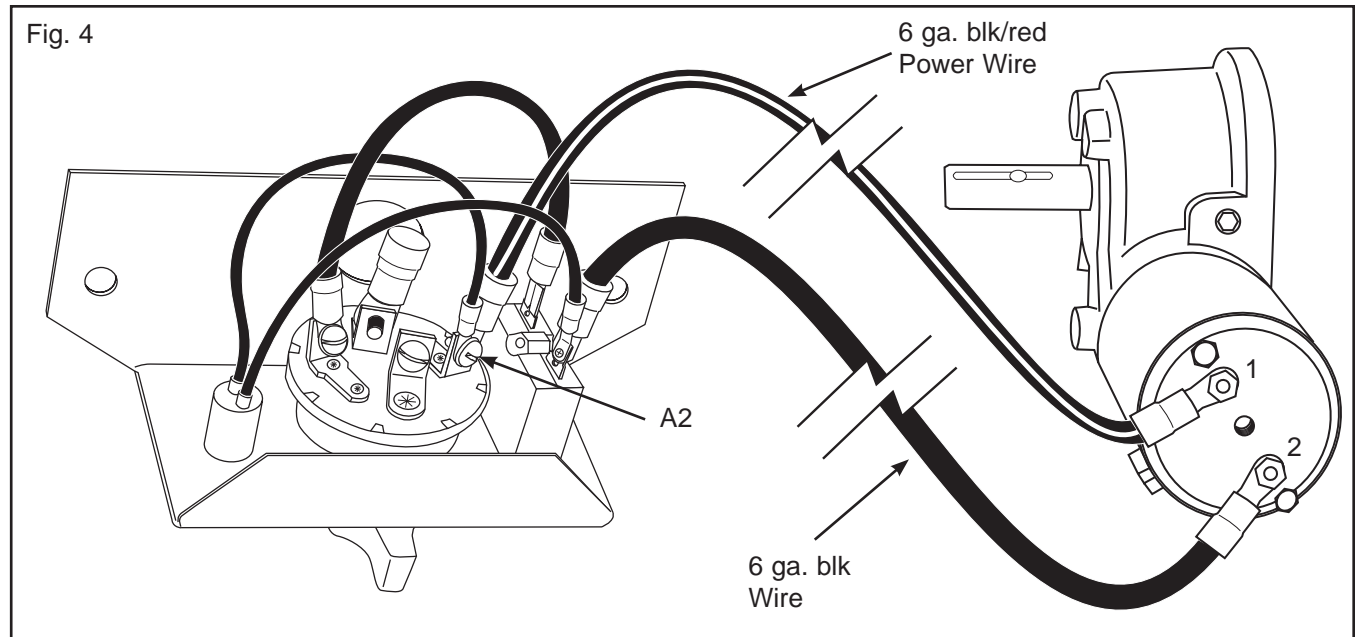
**Step 3. Wiring The Motor**

Run the 6 ga. black wire from the #2 terminal on the motor to the 40 amp "Push To Reset" breaker on the switch panel as shown in Fig. 3.



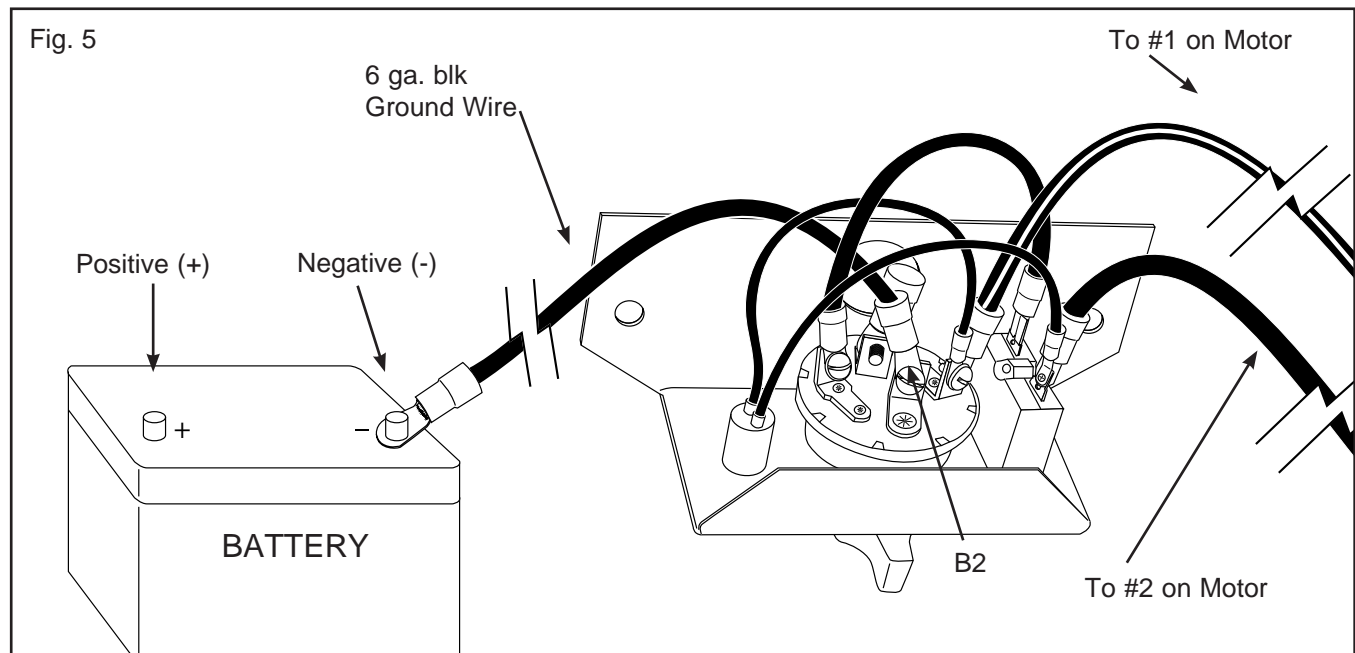
#### Step 4. Wiring The Motor

Run the 6 ga. black / red wire from the #1 terminal on the motor to A2 as shown in Fig. 4.  
(A2 is also labeled on the switch panel)



#### Step 5. Running The Ground Wire To The Battery

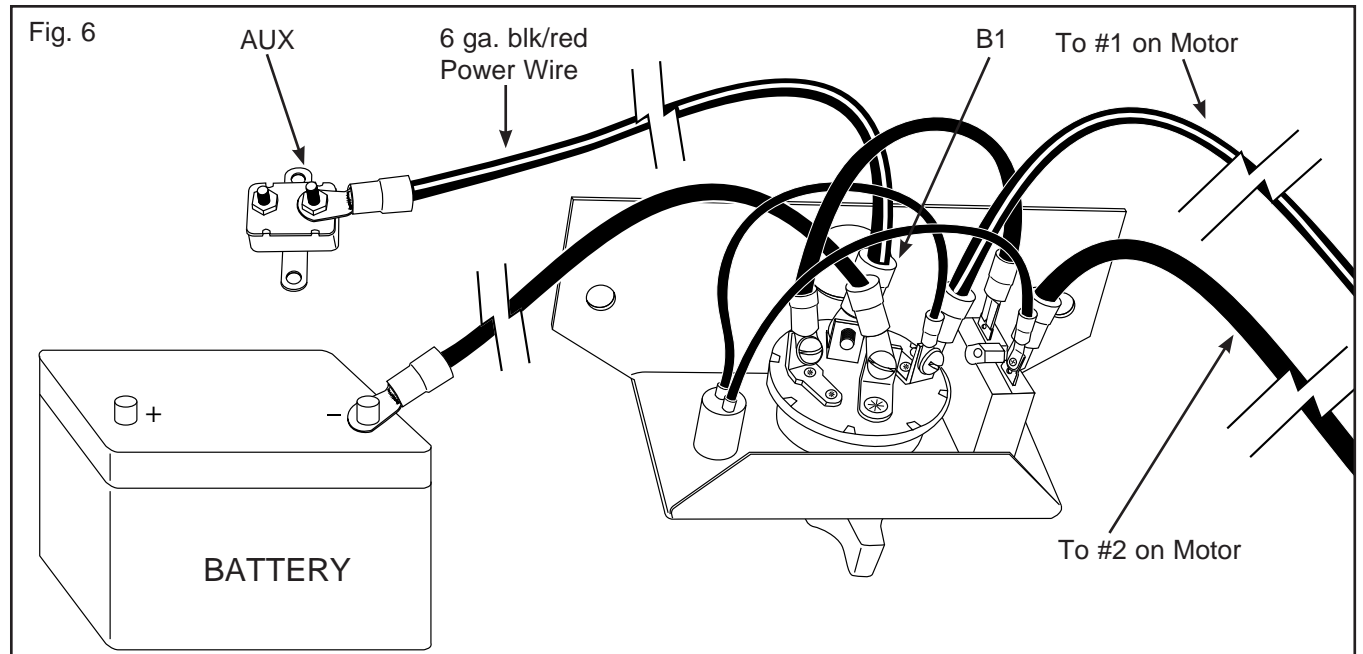
Run the 6 ga. black wire from B2 on the switch to the negative terminal on the battery as shown in Fig. 5.  
(B2 is also labeled on the switch panel)



**Step 6. Wiring The 40 Amp “Non Cycle” Breaker**

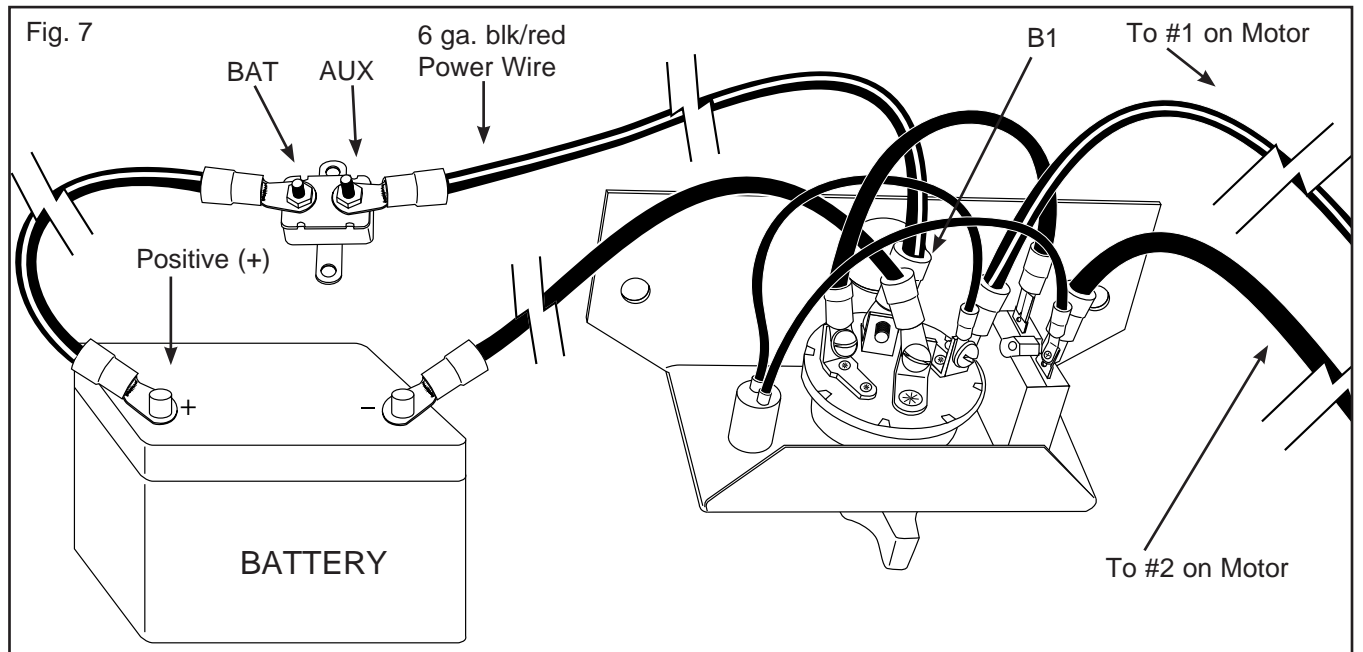
Run the 6 ga. black / red wire from B1 on the switch panel to the AUX terminal on the 40 amp “Non Cycle” breaker as shown in Fig. 6.

NOTE: The large hole on top of the switch is for easy access to the B1 screw.



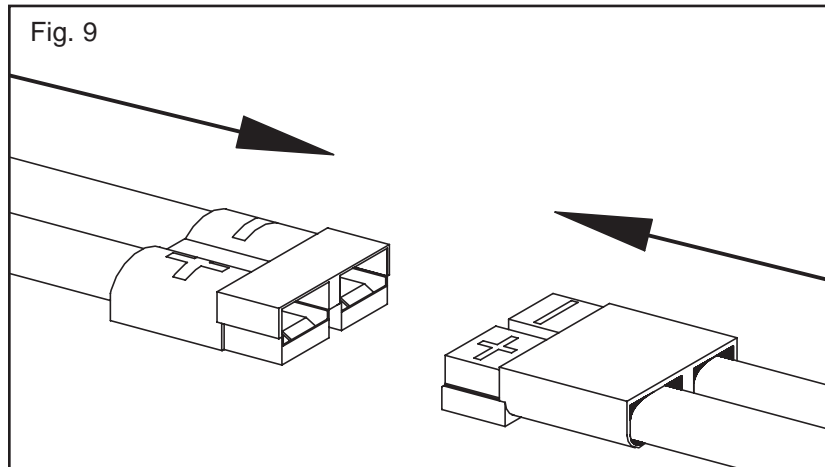
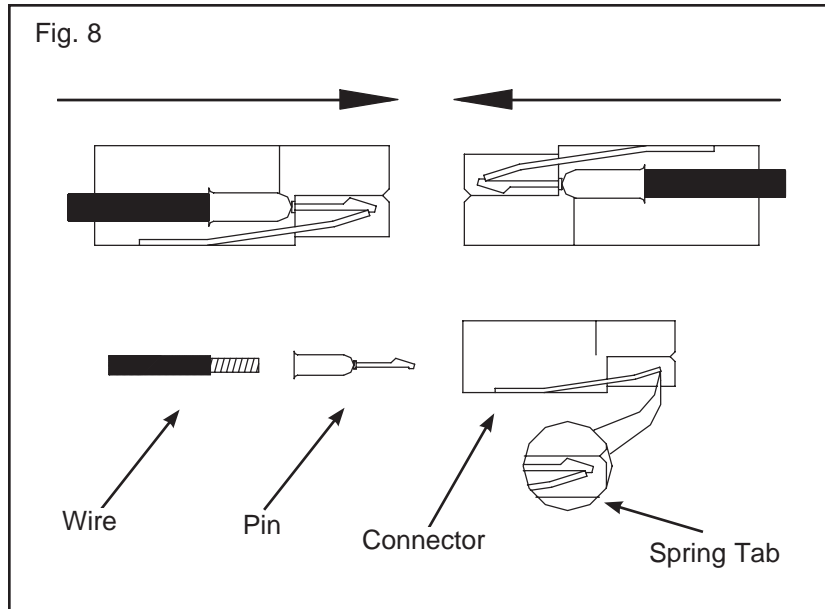
**Step 7. Wiring The 40 Amp “Non Cycle” Breaker**

Run the 6 ga. black / red wire from BAT on the 40 amp “Non Cycle” Breaker to the positive terminal on the battery as shown in Fig. 7.

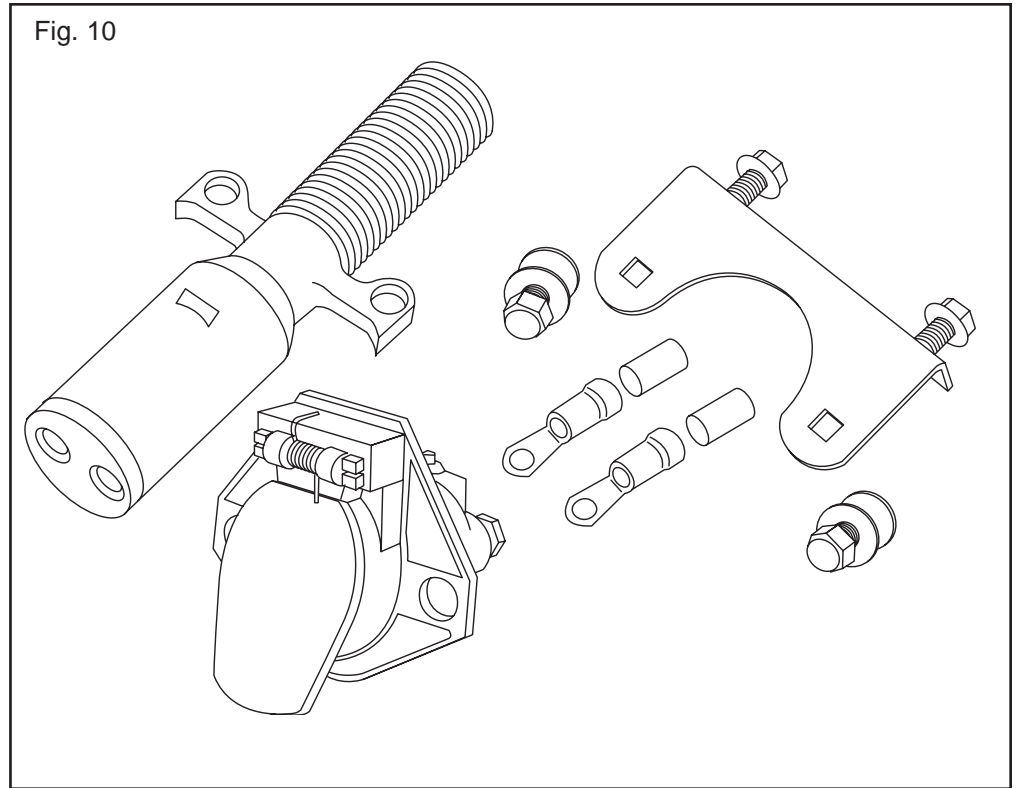


Option #1. Plug Assembly - Part # 514-0505

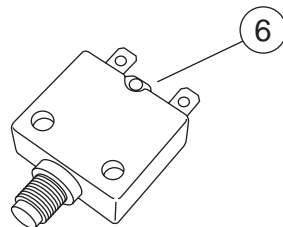
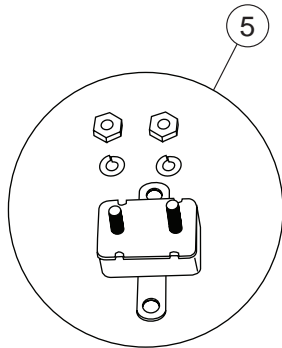
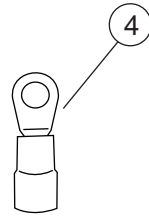
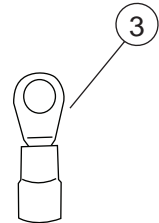
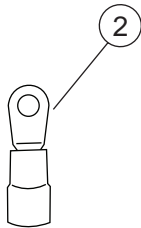
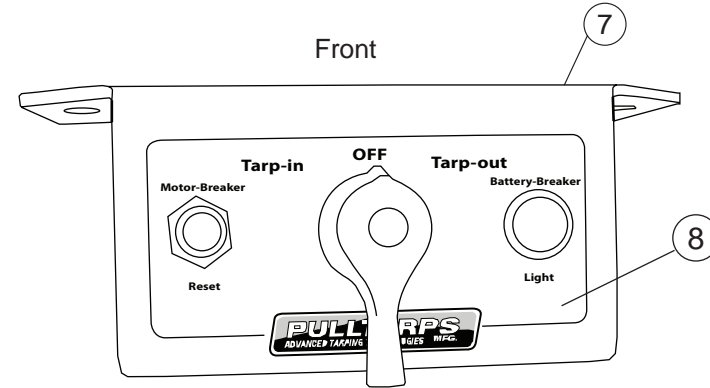
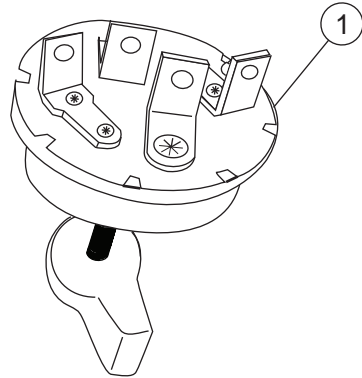
Assemble the Quick Disconnect as shown in Fig. 8 and Fig. 9.



Option #2. Plug Assembly - Part # 514-0501



# 40 Amp Electrical Switch Assembly - (514-0103)



Item #	Part #	Description:	QTY:
1	514-0107	Electric Switch 3 Position	1
2	514-0307	Connector 6 ga. #10 Stud	6
3	514-0308	Connector 6 ga. Lug with 3/8" Eyelet	2
4	514-0309	Connector 6 ga. Lug with 1/4" Eyelet	2
5	514-0405	40 Amp Type II Breaker	1
6	514-0406	40 Amp "Push to Reset Breaker"	1
7	514-9909	Switch Bracket for Arm System	1
8	517-0213	12V Label Electric Switch	1



1404 N. Marshall Ave, El Cajon, CA 92020  
 For Technical Assistance  
 Call Toll Free: (800) 368-3075