



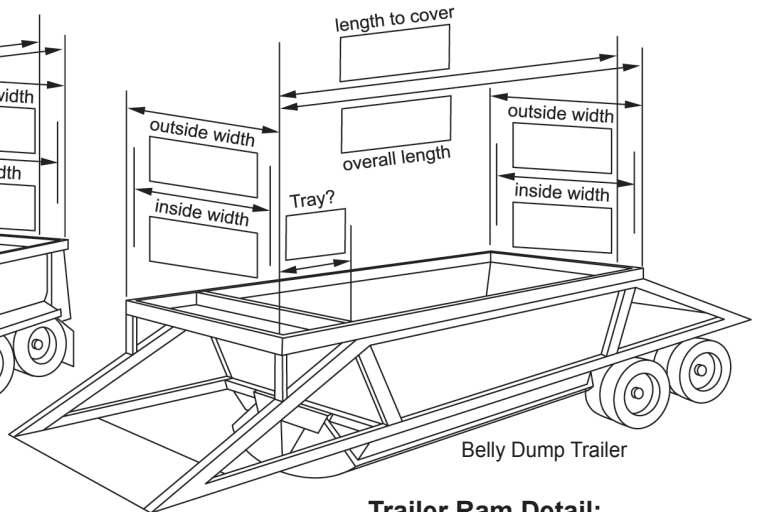
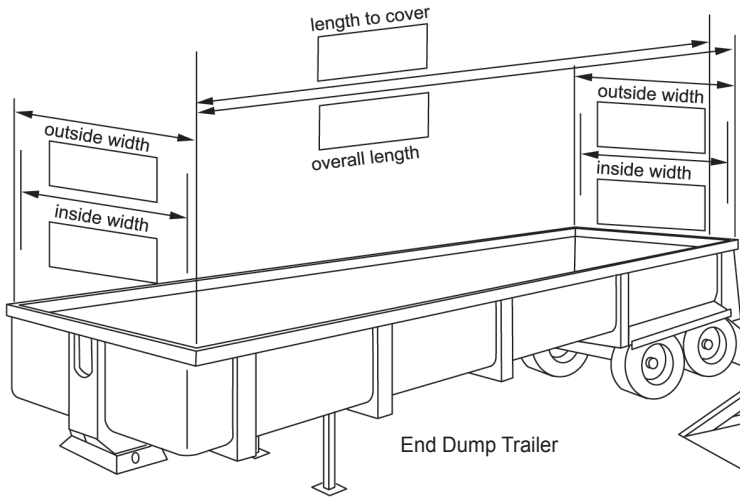
ORDER FORM

Front to Back Cable Systems

Order Desk Phone: (800) 368-3075 • Fax: (619) 449-3782 • Email: sales@pulltarps.com

Bill to: (Company)	Account#	Ship to: (Company)
Address:		Address:
City:	State: Zip:	City: State: Zip:
P.O.#:	Email:	Phone: Fax:

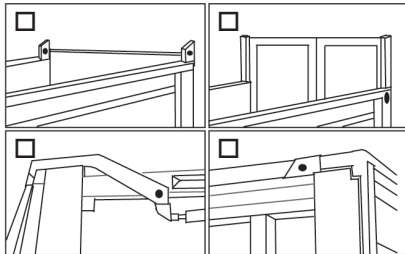
Trailer Information Section: (Please give as much detail as possible)



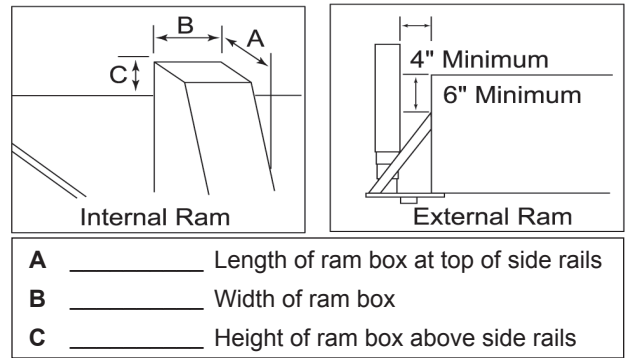
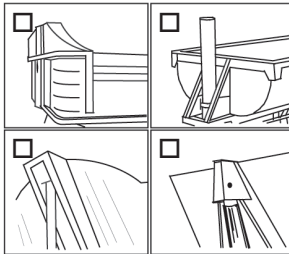
Trailer Make: _____
 Model: _____ Year: _____

Trailer Ram Detail:

Tailgate:



Trailer Front:



Body Material:

- Steel
 Aluminum

- Diamond
 Width: _____

Rail Type:

- Square
 Width: _____
- Solid Rails
 Sideboards

Nose Shape:

- Square
 Radius
 Bullet

Materials Hauled:

- Coal Sand Demo Wood Chips
 Aggregate Asphalt Other

System Type:

- Twin Cable Top Slider
 Single Cable Top Slider
 Single Cable Super Slider
 Single Cable Super Slider with Rear Closer

Single Cable Drive Options:

- Electric Drive up to 25'
 Electric Gear Drive over 25'
 Hand Crank
 Hand Crank with Idler
 Side Operation Pulley Box

Twin Cable Drive Options:

- Electric Motor Drive
 Long Handle Gear Reduction
 Direct Drive Hand Crank
 Standard Chain Drive
 Basic Hand Crank

Smart Switch:

- Basic Cab
 External
 External & In-Cab
 Wireless Remote

Other Options:

- Air Gate Bows
 Tarp sized to Outside Width
 Front Frame Bracket

Bow Rise: 6" 12" 16"

Tarp Materials:

- 18 oz. Vinyl
 Blue Green
 Red Gray
 Black

- Mesh
 Red Green
 Blue Black

Rear Panel:

- Rear Closer
 Std 14" Drop Panel
 30" Flap w/ Bungee

ALL CUSTOM-MADE TARPS ARE NON-RETURNABLE

Taking actual and accurate physical measurements of your equipment are essential for a proper fitting and functioning tarp system. Please provide all requested information to avoid processing errors or delays. Purchasers are responsible for the accuracy of all submitted measurements. By submitting this order, the purchaser agrees to Pulltarps Mfg. terms and conditions.

Quantity:

Note: please use separate order form if ordering for different size equipment or different tarp system type or sizes.

Purchaser Approval: _____ Date: _____