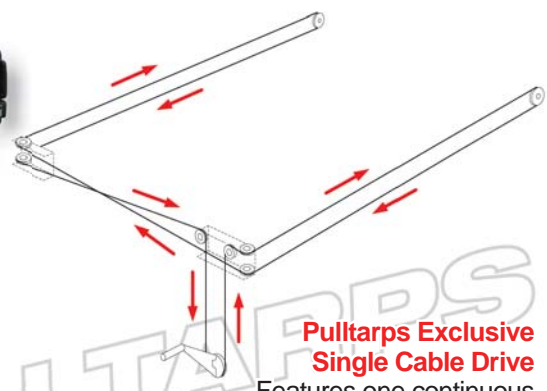


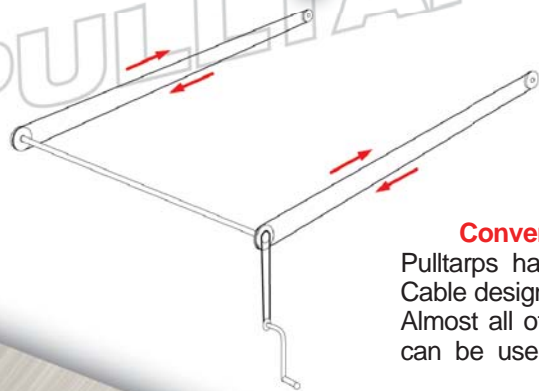
The Best Choice

Choice #1 Single Cable System



Pulltarps Exclusive Single Cable Drive
Features one continuous cable that crosses in front of the trailer. Because the rear drive bow is attached to the same cable, it is impossible for the bows to jam or get out of time.

Choice #2 Twin Cable System



Conventional Twin Cable Drive
Pulltarps has improved on the Twin Cable design with higher quality parts. Almost all of the parts in our System can be used to repair and upgrade other brands.

Simply the Best!