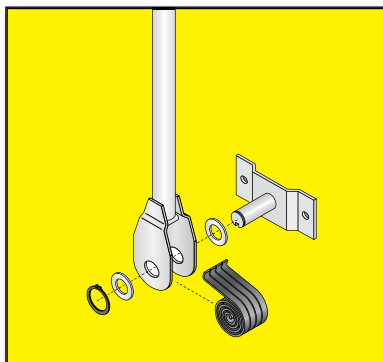


Automatic Arm Sets

Match with a Housing on Page 21-22 for a complete System kit.

Steel - Four Spring Arm System

Pulltarps® Steel Four Spring arm systems are great for shorter applications up to 22'. These arm systems will save you money because the arms are made of common fence pipe that is inexpensive and easy to replace if it is damaged by loaders. This arm set was designed to be interchangeable with other brands so it can be used to repair existing systems.

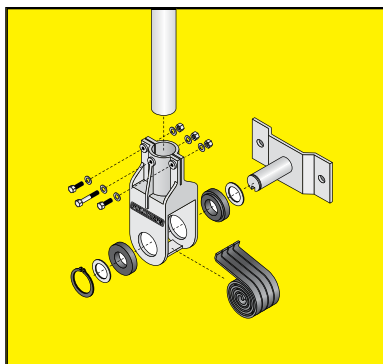


Features and Benefits

- ▶ Handles applications up to 22'
- ▶ Powder Coated Silver
- ▶ Steel Upper Arms
- ▶ Urethane Bumpers reduce noise.
- ▶ Optional Arm Catchers available (see pg. 26).
- ▶ Telescoping arms for easy length adjustment.
- ▶ Available with 4" off-set.

Aluminum - Four Spring Arm System

These aluminum arm systems are the best looking in the industry. One-piece cast aluminum pivots are stronger and save weight. The arms pivot smoothly on long wearing UHMW bushings. The arms are made of schedule 40 aluminum tubing that is a lot less expensive to replace than polished extruded arms.

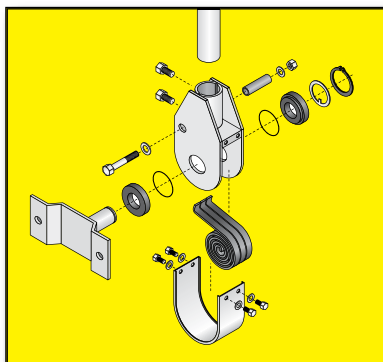


Features and Benefits

- ▶ Handles applications up to 22'
- ▶ Made of lightweight aluminum.
- ▶ Pivots on UHMW Bushings.
- ▶ Urethane Bumpers reduce noise.
- ▶ Optional Arm Catchers available (see pg. 26).
- ▶ Telescoping arms for easy length adjustment.
- ▶ Available with 4" off-set.

High Mount Arm System

The innovative Pulltarps® High Mount arm system is designed for special applications like spreaders and belly dumps that require the arm set to be mounted high on the body. This arm set has three springs inside the fully enclosed, heavy duty spring housing that pivot smoothly on long wearing UHMW bushings. The arms are made of schedule 40 aluminum tubing that is a lot less expensive to replace than polished extruded arms.



Features and Benefits

- ▶ Handles applications up to 18'
- ▶ Pivots on UHMW Bushings.
- ▶ Fully Enclosed Spring Housing
- ▶ Mounts high on the body.
- ▶ Urethane Bumpers reduce noise.
- ▶ Optional Arm Catchers available (see pg. 26).
- ▶ Light weight aluminum arms