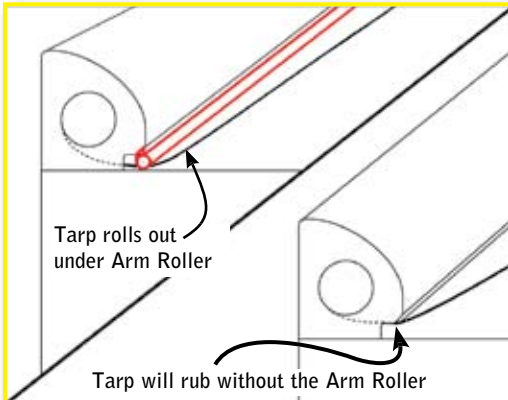


Parts and Accessories



Super Shield Arm Roller

The Arm Roller kit is easily added to a standard Super Shield system. The Arm Roller is required for Super Shield Manual & Automatic Arm Systems.

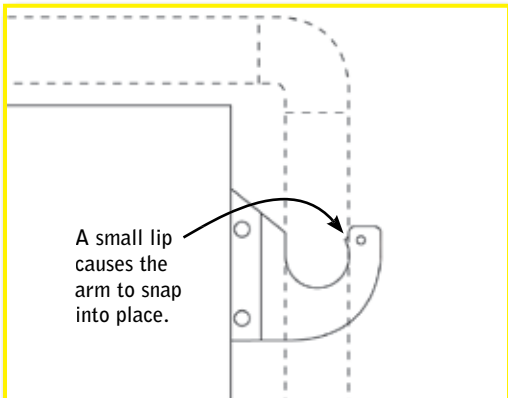
Part # 501-070X
Specify housing width when ordering.



Tarp Tamer

The Tarp Tamer's fixed roller holds the front of the tarp down to prevent material from blowing out. Better than gravity systems because the tarp is held under spring tension. The Tarp Tamer can be used with Pulltarps®, Manual Arms, and Automatic Arm systems.

Part # 501-0701



Optional Arm Catchers

Arm Catchers provide a cradle for the arms to rest in. A small lip in the Arm Catcher snaps the arms in place. This stops the arms from bouncing while in transit and further reduces noise.

Part # 501-1247



Arm Collar Assembly

The arm collar hardware is used for replacement or retrofitting. The assembly reduces noise and keeps the tarp centered. Includes two 2 3/4" urethane bumpers with collar clamps, two 1 1/2" PVC Spacers, and two large 2 3/4" washers.

Part # 501-1234



Bent Arms and Extensions

Bent arms will stay out of harms way while loading. This will increase the life of your tarp system's arms. Extensions can be added to straight arms as an upgrade. Bent Extensions are available in 25°, 35°, and 45° degree bends.

Part # 501-12XX