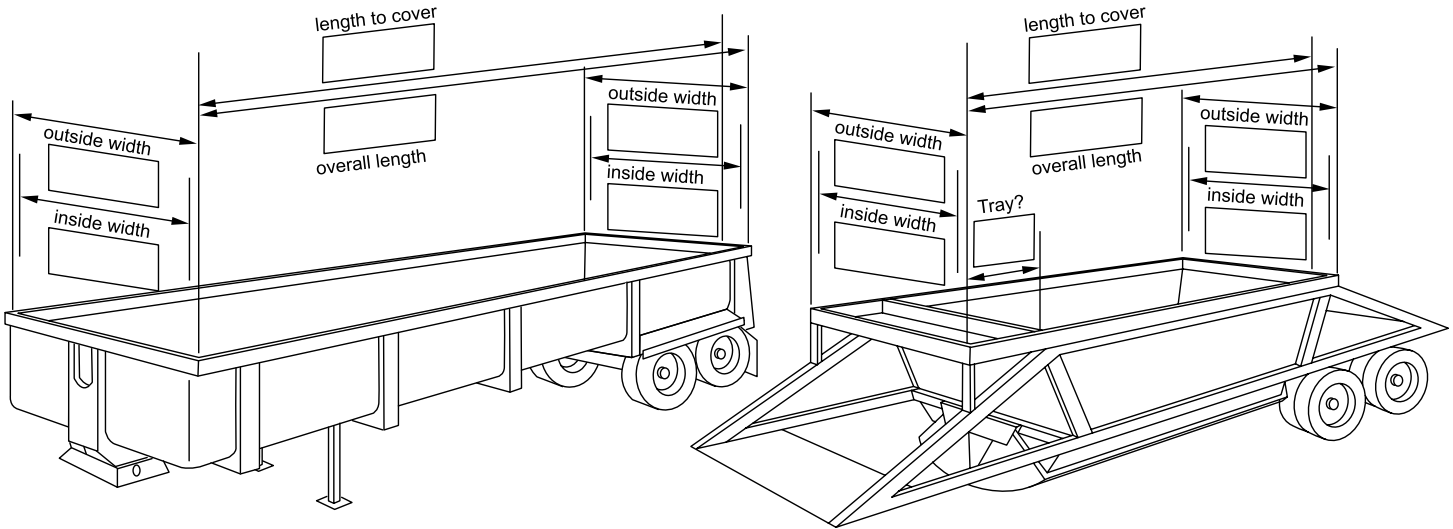


Pulltarps Mfg. Order Form

Front to Back Cable Systems

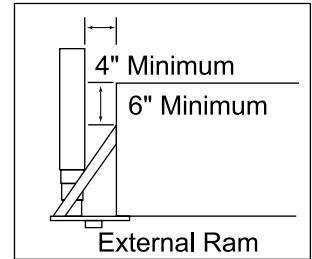
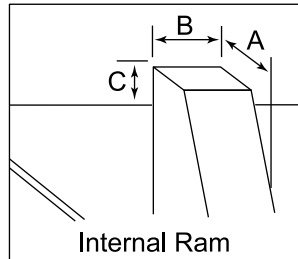
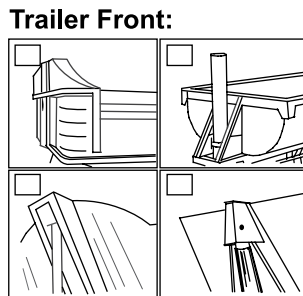
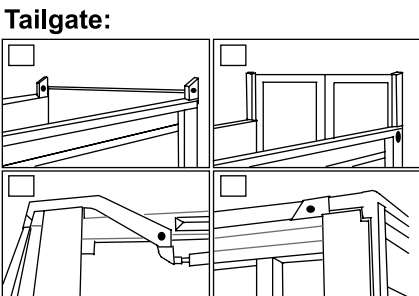
rev. KJH 01-01-08

Bill to: _____ Account #: _____			Ship to: _____		
Company: _____			Company: _____		
Address: _____			Address: _____		
City: _____	State: _____	ZIP: _____	City: _____	State: _____	ZIP: _____
P.O. # _____	QTY: _____		Phone #: _____	Fax #: _____	



Trailer Make _____ **Year** _____

Model _____



A Length of ram box at top of side rails _____

B Width of ram box _____

C Height of ram box above side rails _____

Box Specs:

Body Material Circle One Steel <input type="checkbox"/> Alum. <input type="checkbox"/>	Rail Type - How Wide? Diamond <input type="checkbox"/> Square <input type="checkbox"/>	Nose Shape Circle One Square <input type="checkbox"/> Radius <input type="checkbox"/> Bullet <input type="checkbox"/>	Solid Rail: <input type="checkbox"/> Sideboards: <input type="checkbox"/>
---	--	--	--

System Type:

Twin Cable System: Single Cable System:

Top Slider Options

Air Gate Bows: Tarp Sized to Outside Width:

Bow Rise:

6" 12" 16"

Sliders:

Top Sliders: Side Sliders:

Rear Panel:

Rear Closer:
 Standard 14" Drop Panel:
 Optional 30" Flap w/ Bungee:

Drive:

Electric
 Motor Drive to 25' Front Operation:
 Gear Drive over 25' Side Operation:
 Manual Override?

Tarp Materials:

18 oz. Vinyl Blue <input type="checkbox"/> Green <input type="checkbox"/> Red <input type="checkbox"/> Gray <input type="checkbox"/> Black <input type="checkbox"/>	Mesh Red <input type="checkbox"/> Blk. <input type="checkbox"/> Grn. <input type="checkbox"/> Blue <input type="checkbox"/>	14 oz. Vinyl <input type="checkbox"/>
--	---	--

Materials Hauled:

Coal Sand Demo Chips
 Aggregate Asphalt Other

Single Cable	Hand Crank	Twin Cable
Front Operation: <input type="checkbox"/>		Direct Drive: <input type="checkbox"/>
Side Operation: <input type="checkbox"/>		Standard Chain Drive: <input type="checkbox"/>
w/ Idler Pulley? <input type="checkbox"/>		Long Handle <input type="checkbox"/>
		w/ Gear Reduction: <input type="checkbox"/>

Order Desk # (800) 368-3075 Order Desk Fax # (619) 449-3782