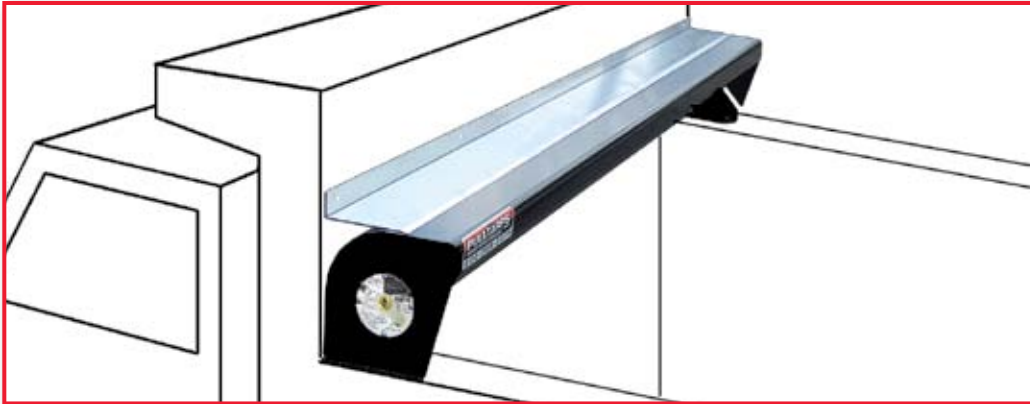


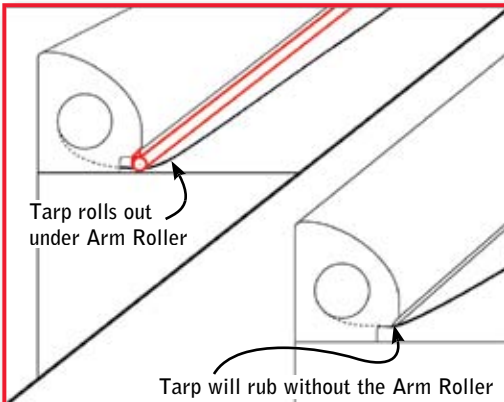
# Parts and Accessories



## Gravel Guard

The optional gravel guard prevents material from collecting between the system and cab shield on certain applications. Available in the following sizes; 80", 84", 87", 89", 93", 96", 100".

Part # 501-102X



Tarp rolls out under Arm Roller

Tarp will rub without the Arm Roller



## Super Shield Arm Roller

The Arm Roller kit is easily added to a standard Super Shield system. The Arm Roller is required for Super Shield Manual & Automatic Arm Systems.

Part # 501-070X

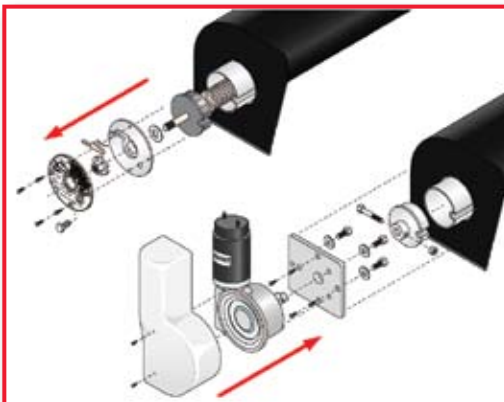
Specify housing width when ordering.



## Manual Arm Upgrade

Semi-Automatic Pulltarps® Systems are easily upgraded to steel or aluminum Manual Arm Systems. Manual Arm Systems are great for heaped loads because the tarp is lifted up and over the load. The arms are available in bent or straight configurations.

See pages 17-18 for Manual Arm Sets.



## Automatic Arm Upgrade

All Semi-Automatic Pulltarps® Systems are easy to retrofit with steel or aluminum Automatic Arm Sets. Automatic Arm Systems can be operated from inside the cab or wireless remote. These systems are fast and take no effort to cover the load.

See pages 23-24 for Automatic Arm Sets.