

Parts and Accessories



Hand Cranks

The rotating handle folds out of the way. The special locking mechanism secures the tarp when it is extended or retracted.

Part # 502-0501
Part # 502-0502
with Idler (shown)



Electric Motor Drive

The 1.1hp Superwinch® motor is backed by a 3 year prorated manufacturer's warranty.

Part # 502-0601 (to 25')
Part # 502-0602 with Gear Drive
(over 25', shown)



Smart Switch™ with Wireless Remote

Easy to install because there is no switch to wire. Unique transmitter codes do not interfere with other remote devices. Can be operated from up to 150 feet away.

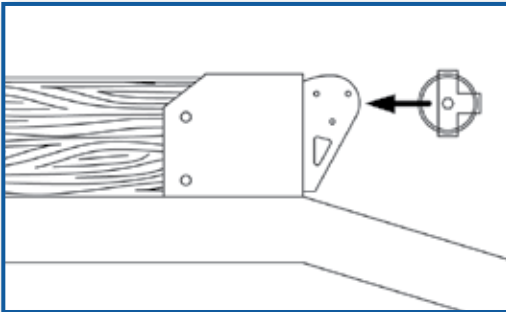
12 Volt - Part # 501-9958 (shown)
24 Volt - Part # 501-9950



Heavy Duty Trailer Connector

For heavy duty and severe service applications. Great for longer wire runs. Large contacts resist corrosion. Highest amperage rating available.

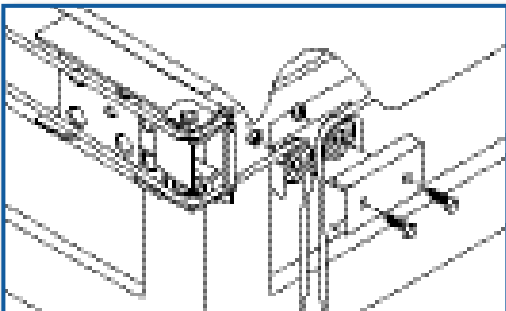
2 wire, with steel mount
Part # 514-0501
2 wire, with aluminum mount
Part # 514-0502



Belly Dump Rear Pulley Brackets

Used for mounting the rear pulleys to the back of a belly dump. Mounted flush against the rear board pocket so the tarp can cover the hopper completely.

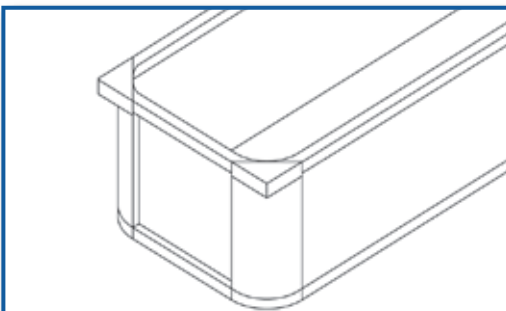
Part # 502-0197 left
Part # 502-1101 right



Side Pulley Box

Allows you to mount your electric drive or hand crank to the side of the body rather than the front.

Part # 502-0108



Front Corner Brackets

Allows you to mount your cable system to the front of a trailer that has radiused corners. The brackets can be either welded or bolted in place.

Part # 502-0132