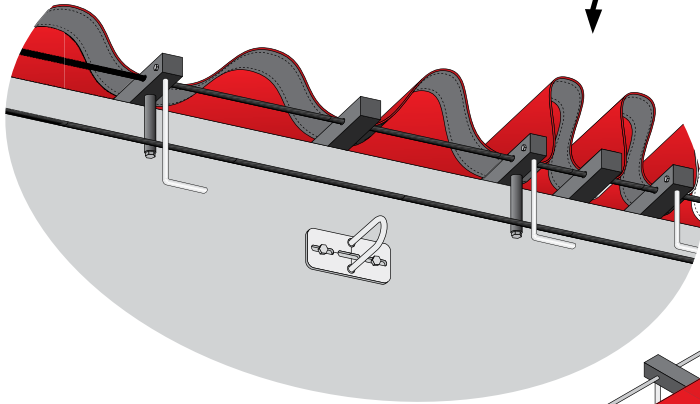


Twin Cable Top Slider

Reinforced Tarp Edges

Heavy Duty webbing sewn along the edge of the tarp adds wear protection in this critical area. The tarp last longer because it does not wear on the top rails.



UHMW Sliders

The UHMW Sliders wipe the top rail clean with every cycle. The smooth square base reduces friction and makes cranking easier. Guaranteed to never wear out.

One Piece Tarp

All tarps are made from one continuous piece of fabric with no welds or seams.

Aerodynamic Tarp

The front of the tarp can be tapered with the front bow height lower than the other bows. This makes the system more aerodynamic and can actually improve fuel economy.

