



A Safe Fleet Brand



Automatic & Semi-Automatic
End Dump & Belly Dump

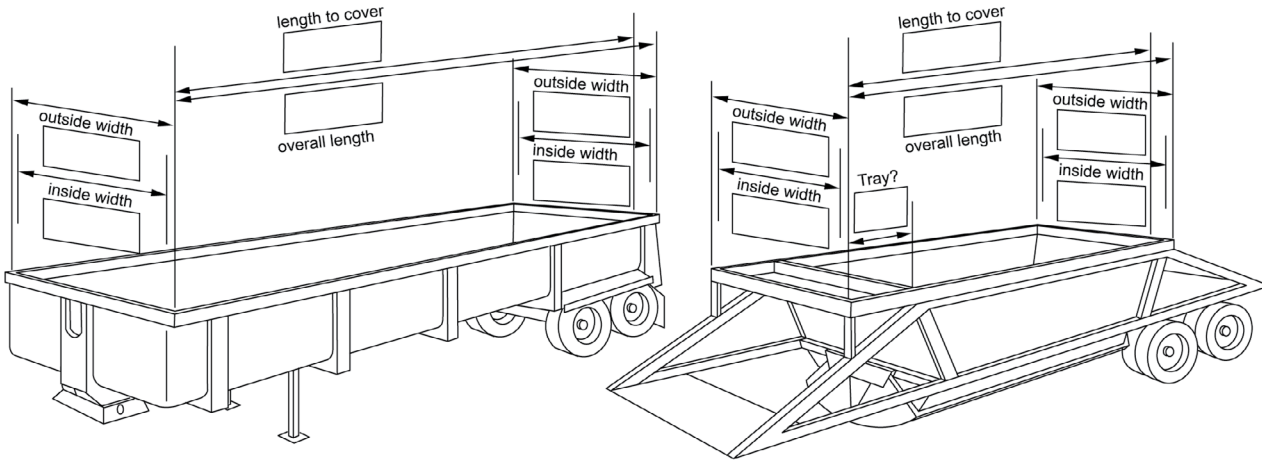
1404 N. Marshall Ave. El Cajon CA. 92020

ORDER FORM

Bill to: (Company)	Account#	Ship to: (Company)
Address:		Address:
City:	State:	Zip:
P.O#:	Email:	Phone:
		Fax:

Trailer Information Section: (Please give as much detail as possible)

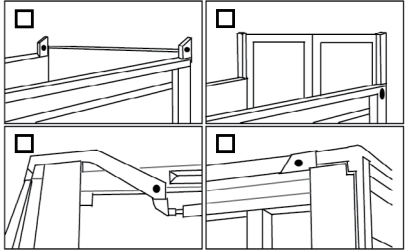
Trailer Mfg: _____ Date of Mfg: _____ GVWR#: _____



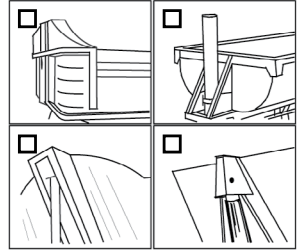
Belly Dump Applications:

- Long Wheel Base
 - Short Wheel Base
 - With Sideboards
- Distance? _____

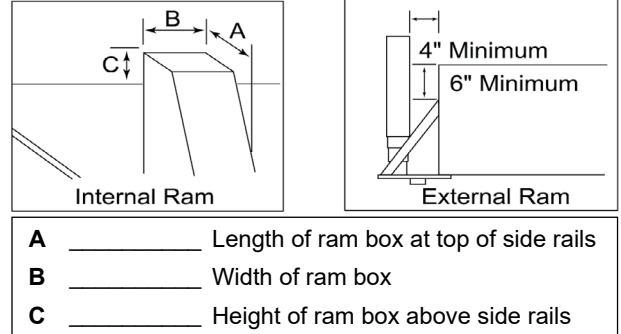
Tailgate:



Trailer Front:



Trailer Ram Detail:



Body Material:

- Steel
- Aluminum

Nose Shape:

- Square
- Radius
- Bullet

Materials Hauled:

- Coal
- Sand
- Demo
- Wood Chips
- Aggregate
- Asphalt
- Other

Housing Model:

- Open 9000E
- Steel Protector™
- Steel Protector +™
- X-Pando™
- Aluminator™ 7000E
- Aluminator™ 8500E
- SuperShield™ 9500E

Tarp System Information Section

System Type:

- | | | | | | | |
|--|---|--|--|--|---|---|
| Manual Arms
<input type="checkbox"/> Yes
<input type="checkbox"/> No | Automatic Arm Kits
<input type="checkbox"/> 4-Spring - 22'
<input type="checkbox"/> Single Spring | <input type="checkbox"/> 25'
<input type="checkbox"/> 30'
<input type="checkbox"/> 33'
<input type="checkbox"/> 40' | <input type="checkbox"/> Inside Box
<input type="checkbox"/> High Mount | Arm Type
<input type="checkbox"/> Straight
<input type="checkbox"/> Bent | Arm Material
<input type="checkbox"/> Aluminum
<input type="checkbox"/> Steel | Smart Switch Options
<input type="checkbox"/> Basic Cab
<input type="checkbox"/> External & In-Cab
<input type="checkbox"/> External
<input type="checkbox"/> Wireless Remote |
|--|---|--|--|--|---|---|

Tarp Materials:

- HD Mesh
 Black
- Super HD Mesh
 Black
- 18 oz. Vinyl
 Black
- 14 oz. Asphalt
 Black

ALL CUSTOM-MADE TARPS ARE NON-RETURNABLE

Taking actual and accurate physical measurements of your equipment are essential for a proper fitting and functioning tarp system. Please provide all requested information to avoid processing errors or delays. Purchasers are responsible for the accuracy of all submitted measurements. By submitting this order, the purchaser agrees to Pulltarps Mfg. terms and conditions.

Options:

- Bolt-On
- Electric Drive
- Arm Catcher
- Tarp Tamer
- Side Flaps

Quantity: _____ Note: please use separate order form if ordering for different size equipment or different tarp system type or sizes.

Purchaser Approval: _____ Date: _____