



INSTALLATION INSTRUCTIONS

Optional Tarp Tamer

501-0701

Related Instructions,
How-To Videos & More



[PDF: Electric Drive Conversion Kit](#)



[PDF: Bolt-On Mounting System](#)



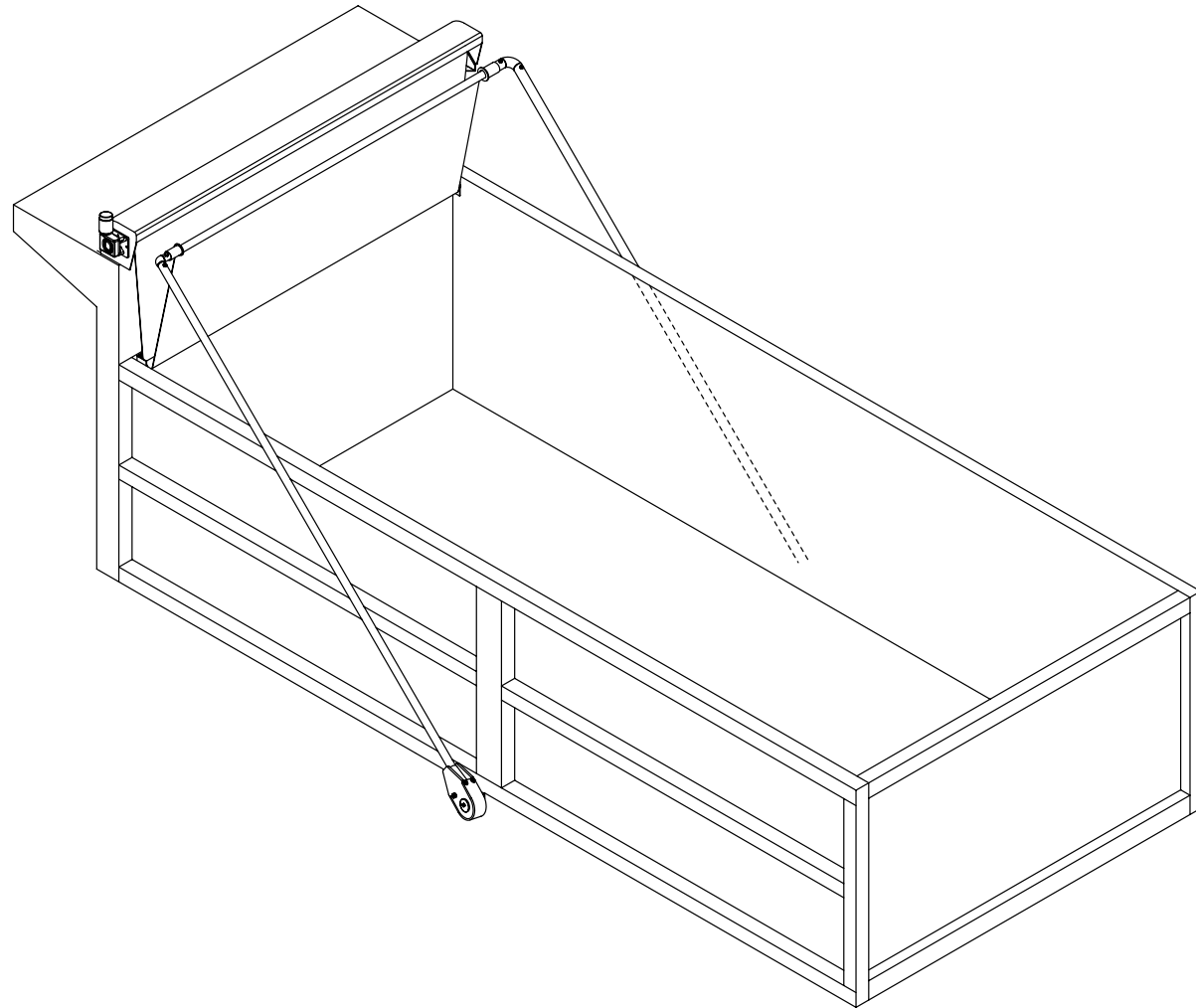
[PDF: Smart Switch Basic Kit](#)



[PDF: High Amp Switch Kit](#)



[Video: Tarp Tamer Operation](#)



Document #: 607-0087
Revised: 02/07/24 WLH

DURING INSTALLATION, SOME FABRICATION MAY BE REQUIRED.



Table of Contents

General Information

Recommended Tools..... 1

Tarp Tamer #501-0701 2

System Installation

Mounting the Optional Tarp Tamer 3



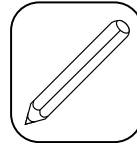
Recommended Tools



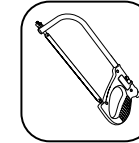
Safety Glasses and Gloves



Welding Equipment & Helmet



Pencil or Marker



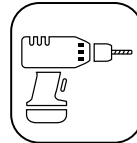
Hacksaw



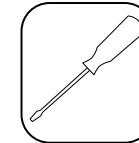
Tape Measure



Rubber Mallet



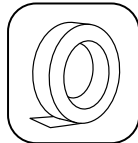
Impact Drill (Optional)



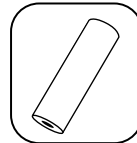
Flathead Screwdriver



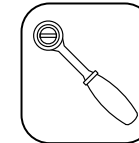
Adjustable Wrench



Masking Tape



3/8" Socket



Socket Wrench



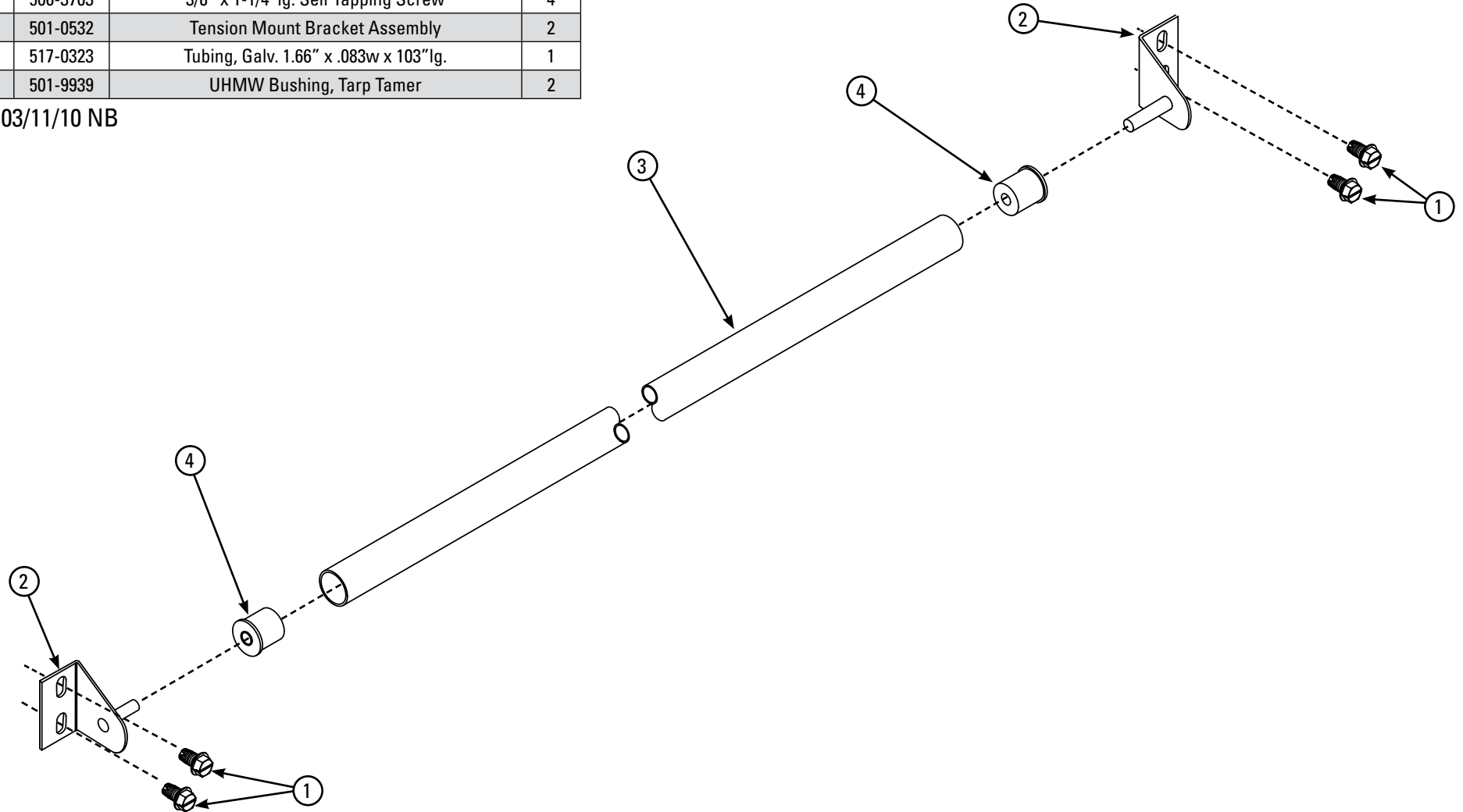
INSTALLATION INSTRUCTIONS

Optional Tarp Tamer

Tarp Tamer #501-0701

ITEM	PART #	DESCRIPTION	QTY
1	506-3703	3/8" x 1-1/4"lg. Self Tapping Screw	4
2	501-0532	Tension Mount Bracket Assembly	2
3	517-0323	Tubing, Galv. 1.66" x .083w x 103"lg.	1
4	501-9939	UHMW Bushing, Tarp Tamer	2

REV. 03/11/10 NB



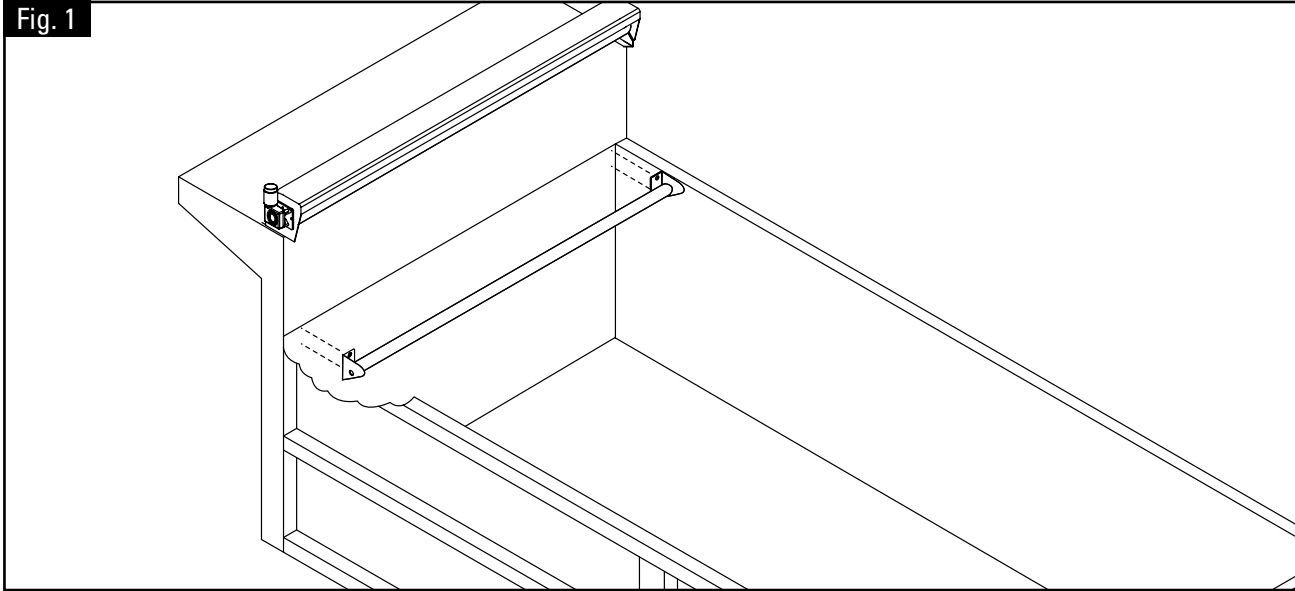


INSTALLATION INSTRUCTIONS

Optional Tarp Tamer

Mounting the Optional Tarp Tamer

Fig. 1



Step 1: Choose mounting location and cut tube to length as needed.

Step 2: With tarp removed from pullbar and retracted into housing, fasten the Tarp Tamer against bulkhead or top rails with 506-3703 self threading screws or weld in place (Fig. 1).

Step 3: Rout tarp under roller and reattached to pullbar (Fig. 2).

Step 4: Run tarp in and out several times to make sure the Optional Tarp Tamer functions properly (Fig. 3 & 4).

Fig. 2

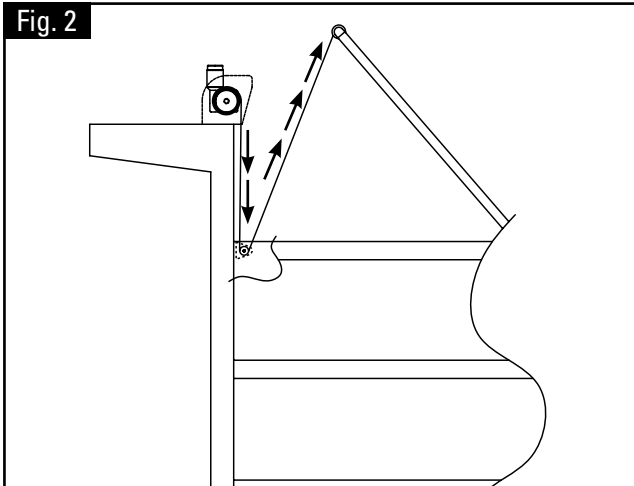


Fig. 3

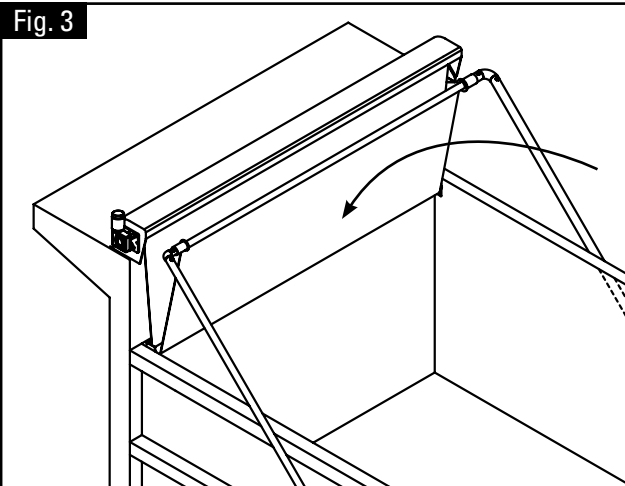


Fig. 4

