

Supplemental Instructions For Reliance Transfers

Rear Box - Part # 501-0614

Step 1. Hinge Ramp Gussets (501-0311)

The Hinge Ramp Gussets allow the Pullrod to roll up and over the tail gate assembly. It welds to the top edge of the diamond rail and hinge (Fig. 1).

Step 2. Tarp Return Ramps (501-0301)

The Tarp Return Ramps for the rear box should be positioned with the point at the top just past the radius of the hinge so the pullrod will return smoothly (Fig 1).

Step 3. 1" x 2" x 93 1/2" Box Tubing (501-0316)

Weld the Box Tubing on top of the tail gate as far back as possible (Fig. 2). This Box Tubing will allow the tarp to pass over the tail gate without cutting the tarp.

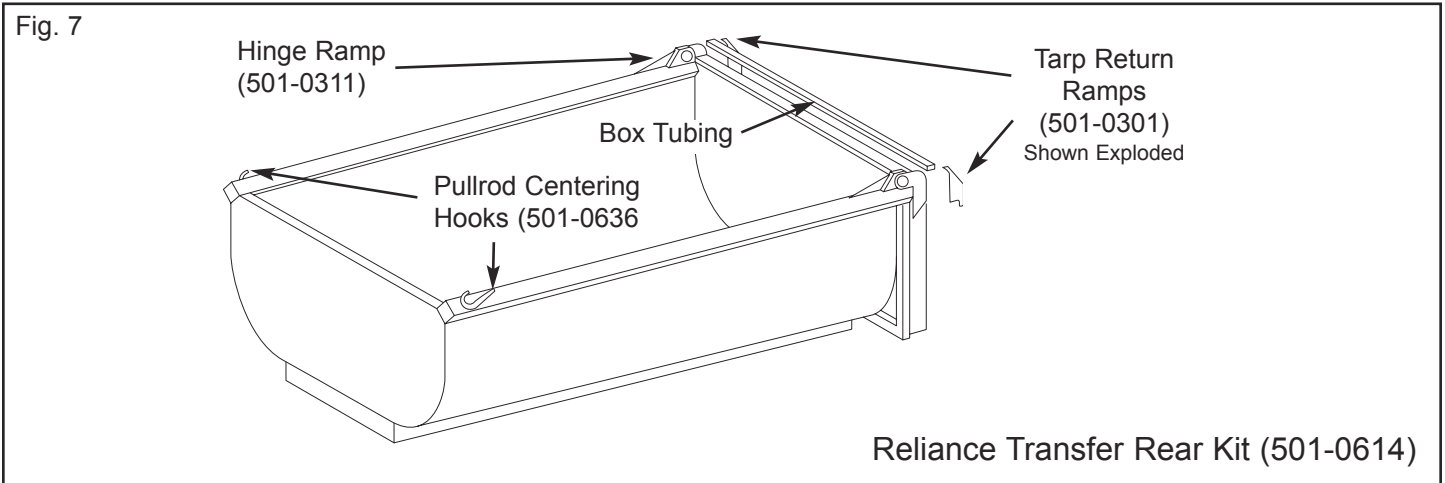
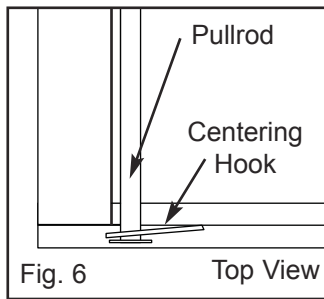
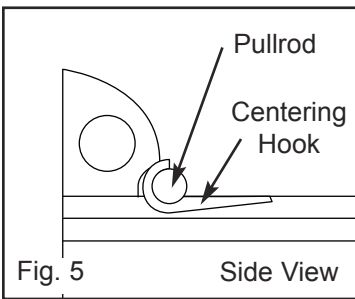
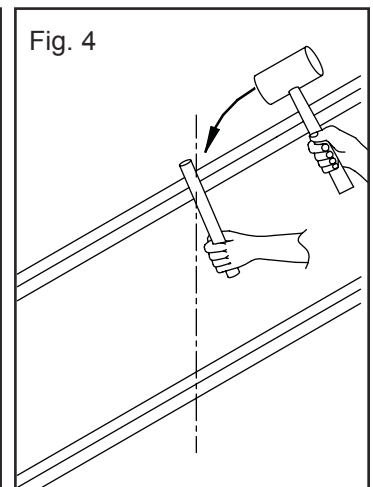
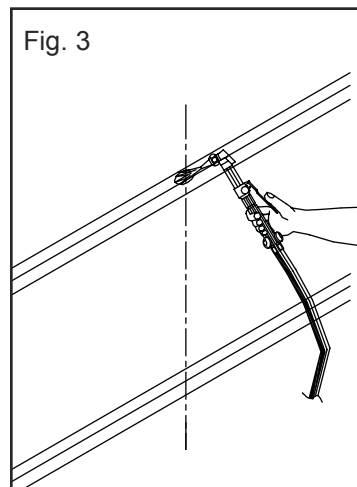
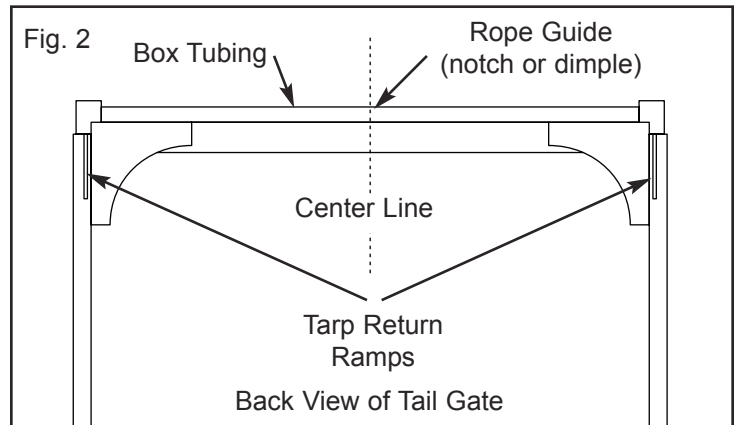
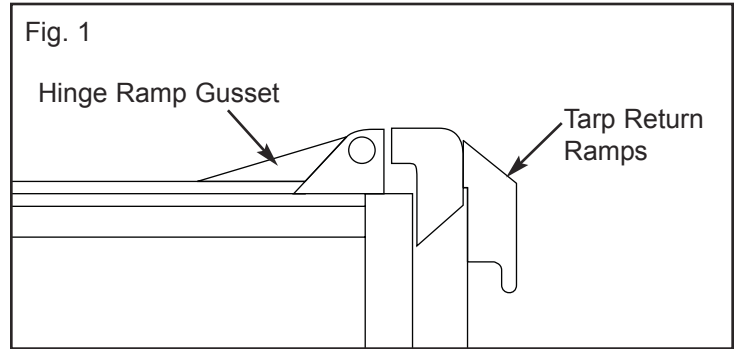
Step 4. Rope Centering Guide

Once the box tubing is welded in place, mark the center of the tube and heat dimple to provide a rope centering guide (Fig. 2, 3 & 4). This is important because the diamond top rail makes it possible for the pullrod to jump if the rope is not centered when pulling out or retracting the tarp.

Step 5. Pullrod Centering Hook (501-0636)

WARNING: When transferring the rear box with the tarp retracted, the pullrod must be centered. To prevent pullrod damage, center the pullrod on the top rails for a guide. Weld the Centering Hooks in place as shown in Fig. 5 & 6.

Step 6. Re-Install Tarp and Test



Reliance Transfer Rear Kit (501-0614)