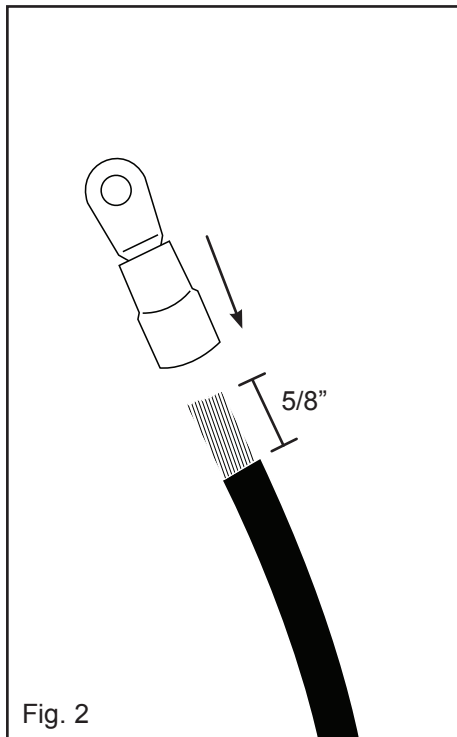
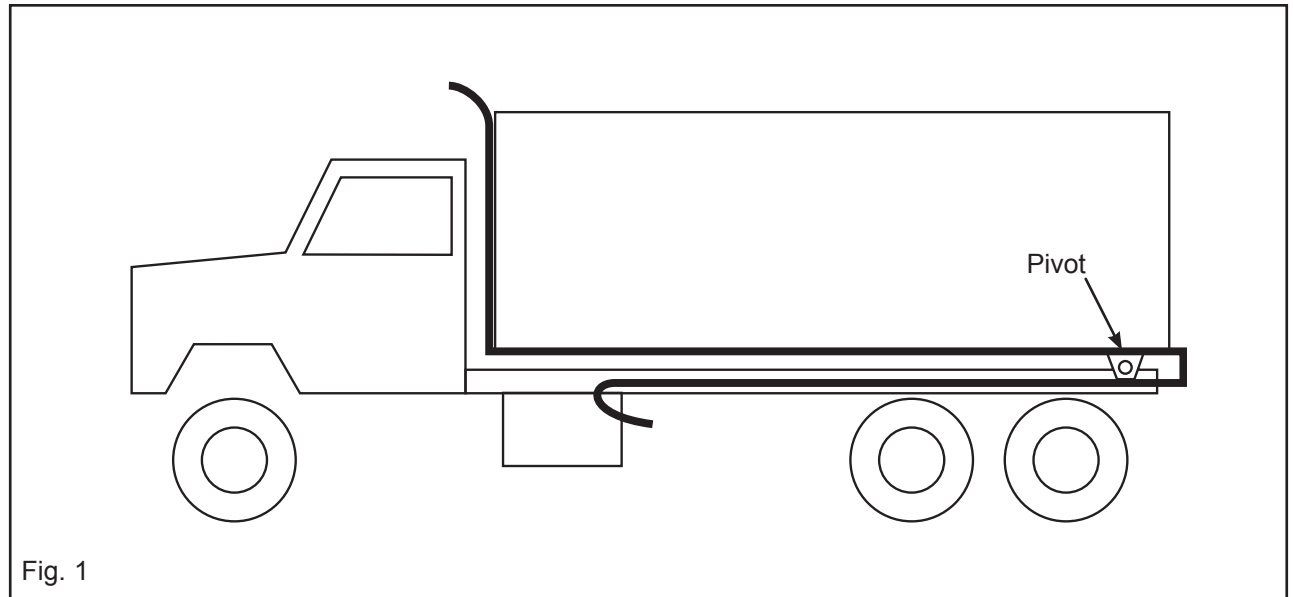


Step. 1

Run the 6 ga. wire to both locations (motor & battery box) and attach to truck body as shown in Fig. 1.

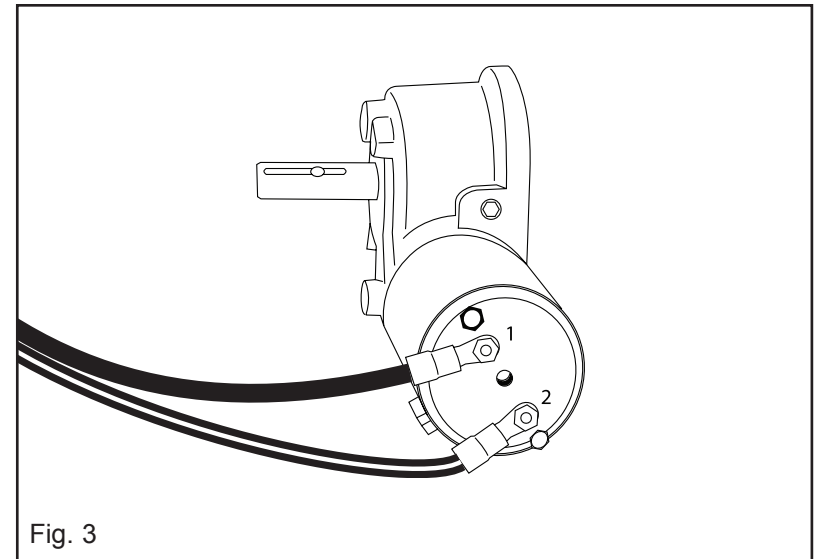
Note: The wire must go beyond the pivot point.

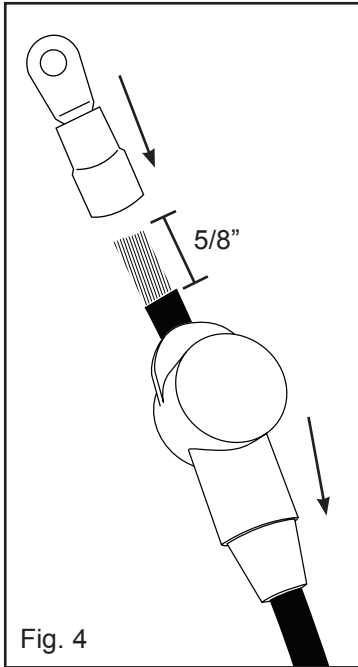
Caution: Make sure wire does not get pinched at the pivot.



Step 2. Attaching The Connectors (Motor)

- A. Split the molded 6 ga. wire approximately 4" and strip the ends about 5/8" down.
- B. Attach connectors (part # 514-0308) and crimp (Fig. 2).
- C. Attach black wire to Terminal # 1 on motor (Fig. 3).
- D. Attach red striped wire to Terminal # 2 on motor (Fig. 3).

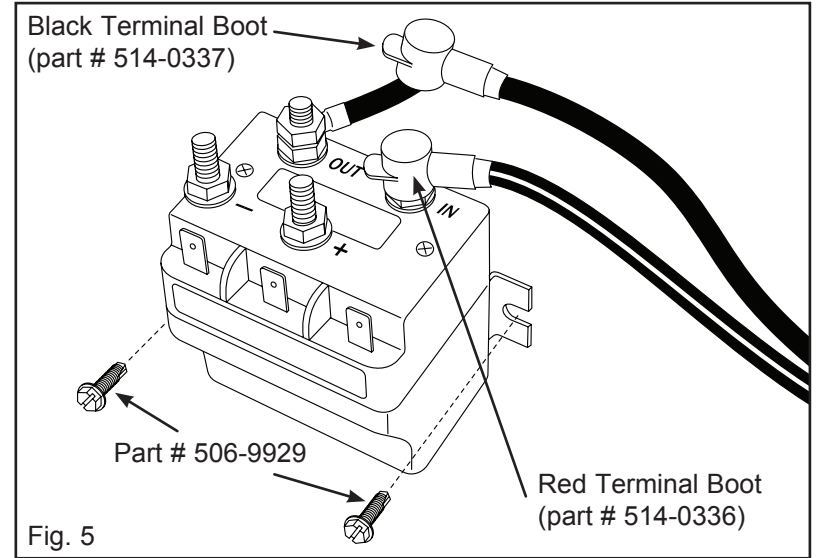




Step 3.

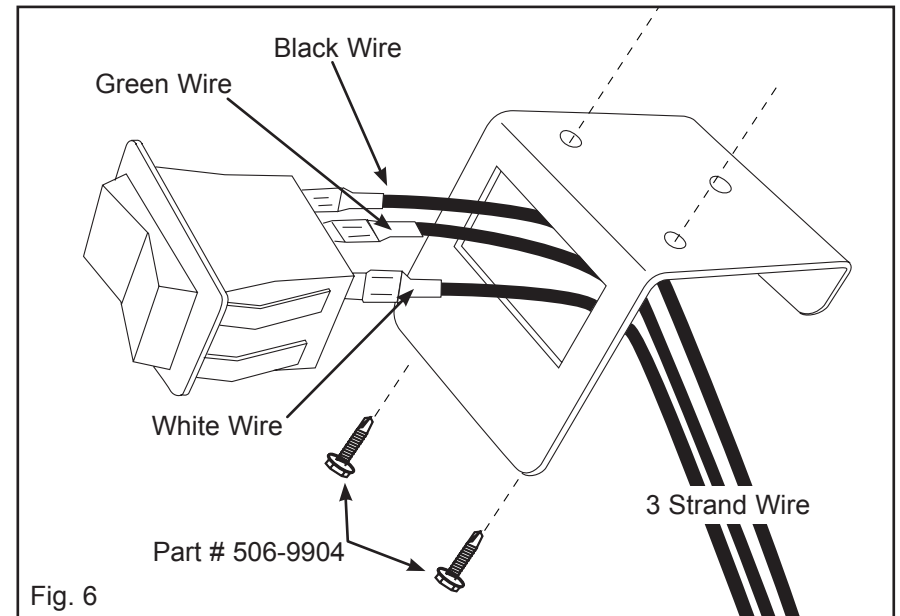
- A. Locate the Solenoid in a ventilated area near the battery. Mount using the self drilling screws (part # 506-9929).
- B. Split the 6 ga. wire at the solenoid about 4" back and slip on rubber boots - Red Boot (part # 514-0336) on red striped wire and Black Boot (part # 514-0337) on black wire (Fig. 4 & 5).
- C. Strip wire about 5/8" and attach connectors (part # 514-0308) (Fig. 4). Crimp Connectors.
- D. Attach Red to IN and Black to OUT on Solenoid (Fig. 5).

Do not over tighten nuts on Solenoid!



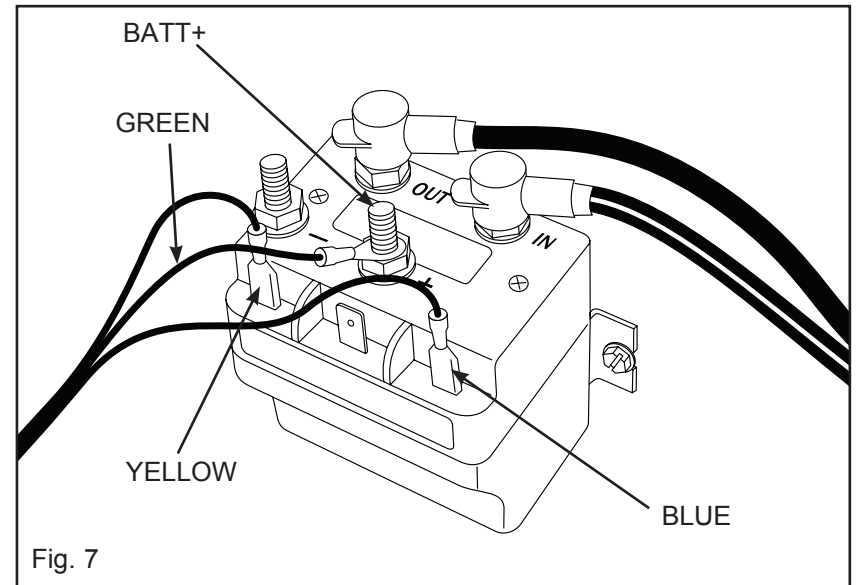
Step 4. Run 16 ga. Wire to Cab from solenoid

- A. Mount Switch Bracket (part # 514-9954) in a convenient place in cab using the two self drilling screws (part # 506-9904).
- B. Strip wire in cab about 1/4" and attach push on connectors (part # 514-0321) and crimp (Fig. 6).
- C. Pull wire through Switch Bracket (part # 514-9954) (Fig. 6).
- D. Attach wire to Rocker Switch (part # 514-0117) (Fig. 6).
 - Green to Center
 - Black to Top
 - White to Bottom
- E. Snap Rocker Switch firmly in Switch Bracket.



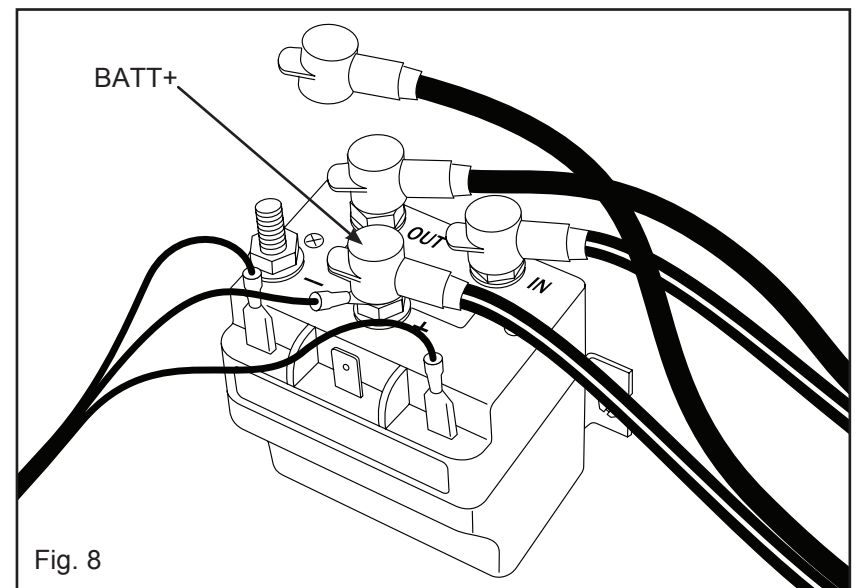
Step 5. Attaching Switch Wires to Solenoid

- A. On the black and white wires only, strip ends about 1/4" and attach push on connectors (part # 514-0321).
- B. On the green wire, strip end about 1/4" and attach connector with 1/4" eyelet (part # 514-0304).
- C. Attach Black to LEFT Terminal on Solenoid (Fig. 7). Attach White to RIGHT Terminal on Solenoid (Fig. 7). Attach Green to BATT+ on Solenoid (Fig. 7).



Step 6. Connecting the Solenoid to the Battery

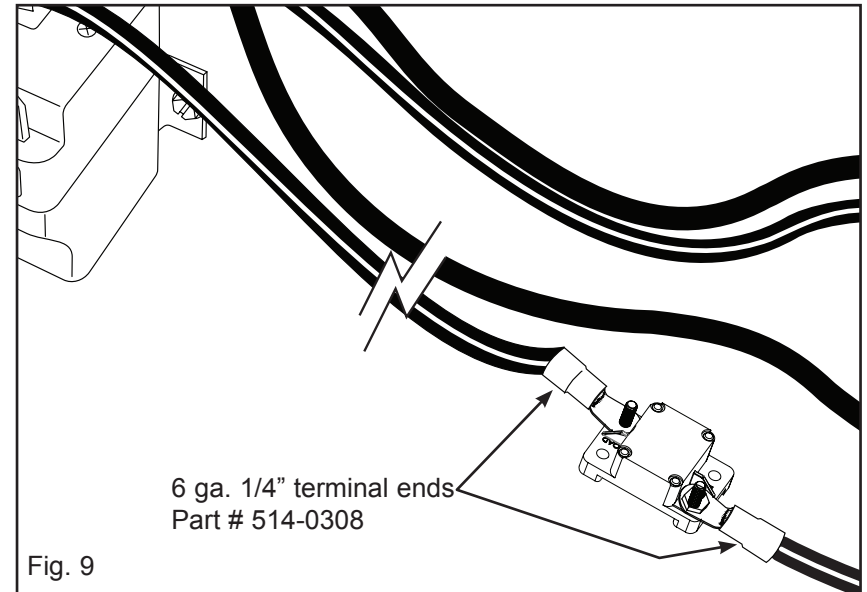
- A. Cut a length of wire to run between the battery and the solenoid.
- B. Split wire about 4" down and strip ends about 5/8". Slip on Red Boot (part # 514-0336) on Red Striped Wire and Black Boot (part # 514-0337) on Black Wire as done in Step 3.
- C. Attach Connectors (part # 514-0308) and crimp to wires.
- D. Attach Red Striped wire to BATT+ on Solenoid, and tighten nut (Fig. 8).
- E. DO NOT attach Black wire to BATT- on Solenoid at this time.



Step 7. Hooking up the Breaker

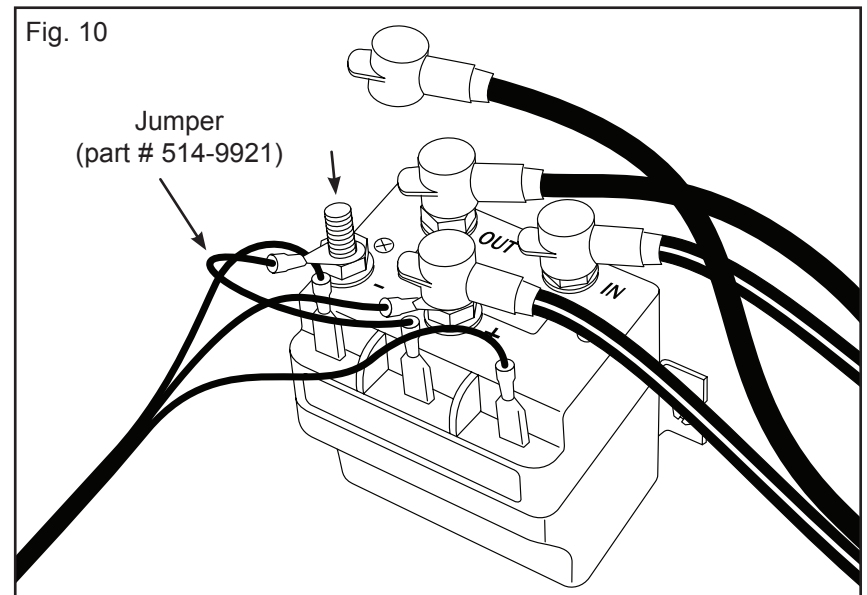
- A. Mount the Breaker in the Battery Box away from moisture and so that it won't short out on the battery lid or terminals.
- B. Split a section of the 6 ga. wire that runs from BATT+ on the Solenoid to the Breaker as needed.
- C. Cut and then strip ends of the Red Striped Wire about 5/8" and attach the #10 terminal ends (Part # 514-0307) only to the Red Striped Wire.
- D. Attach to Breaker. The breaker is marked "Load" at the Solenoid end and "Line" at the Battery end.

Warning: Failure to install properly will void warranty on motor and other parts.



Step 8. Attaching Jumper

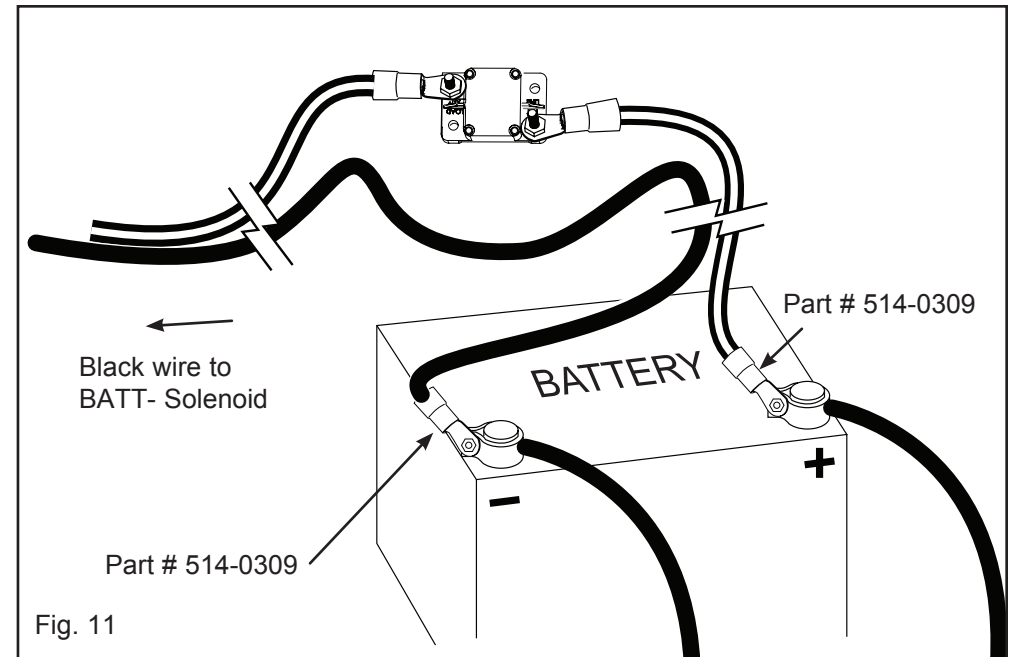
- A. Attach the Jumper (part # 514-9921) as shown (right). Push the female spade connector on to the CENTER terminal. Connect the 1/4" eyelet to the BAT - post on the solenoid.
- B. Attach the black 6 ga. wire (from battery) over the Jumper. Tighten the nut down and cover with the black terminal boot as done in previous steps.

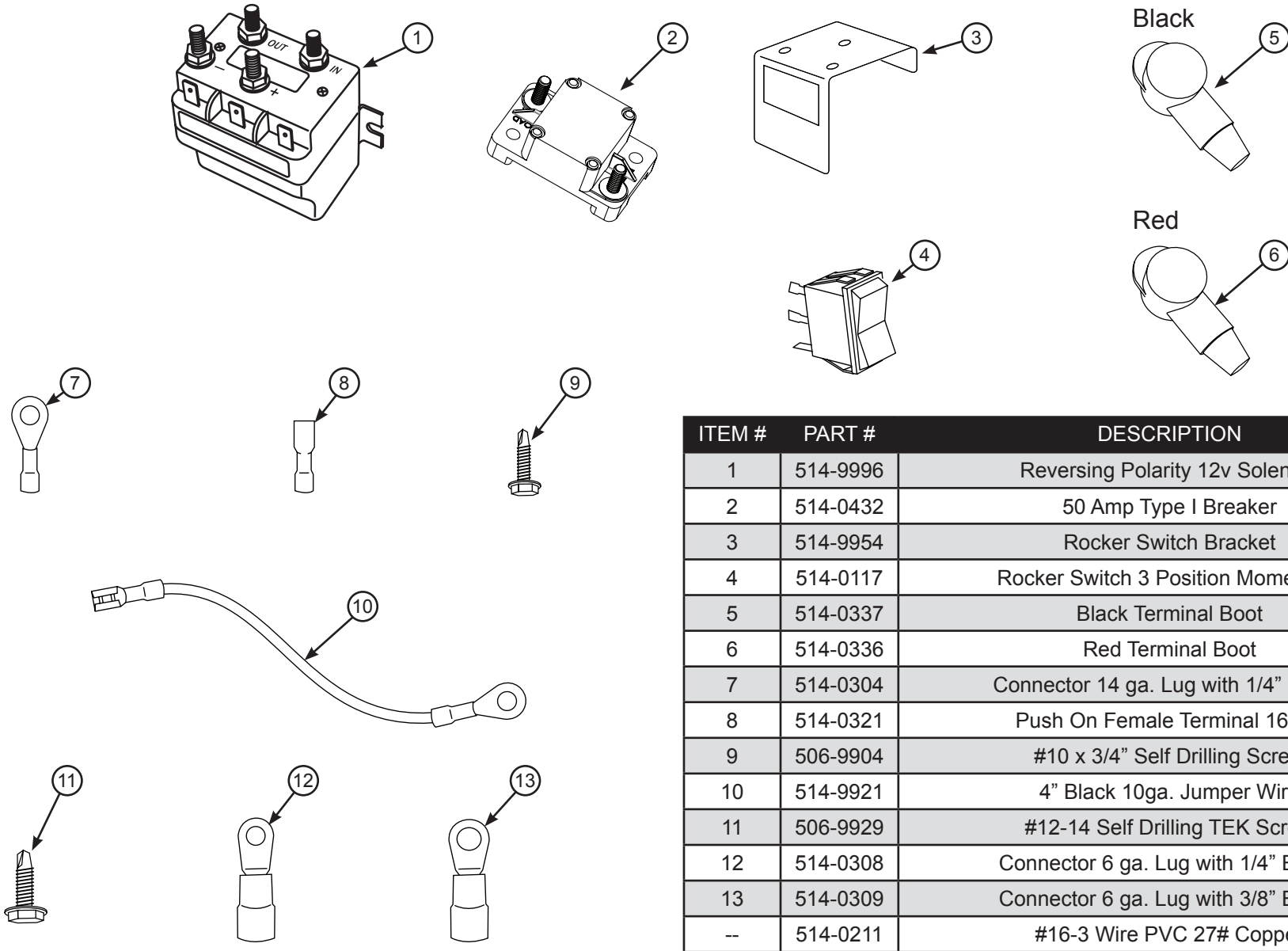


Step 9. Hooking up the Battery

- A. Split the 6 ga. wire that runs from BATT+ and BATT- on the Solenoid about 4".
- B. Strip the ends about 5/8" and attach the 3/8" connectors (part # 514-0309), crimp to wires.
- C. Attach Red Striped wire to Positive Terminal on Battery (Fig. 11). Attach Black wire to Negative Terminal on Battery (Fig. 11).

Note: If the system operates backwards, reverse the connections on the motor.





ITEM #	PART #	DESCRIPTION	QTY
1	514-9996	Reversing Polarity 12v Solenoid	1
2	514-0432	50 Amp Type I Breaker	1
3	514-9954	Rocker Switch Bracket	1
4	514-0117	Rocker Switch 3 Position Momentary	1
5	514-0337	Black Terminal Boot	2
6	514-0336	Red Terminal Boot	2
7	514-0304	Connector 14 ga. Lug with 1/4" Eyelet	1
8	514-0321	Push On Female Terminal 16 ga.	5
9	506-9904	#10 x 3/4" Self Drilling Screw	4
10	514-9921	4" Black 10ga. Jumper Wire	1
11	506-9929	#12-14 Self Drilling TEK Screw	2
12	514-0308	Connector 6 ga. Lug with 1/4" Eyelet	8
13	514-0309	Connector 6 ga. Lug with 3/8" Eyelet	2
--	514-0211	#16-3 Wire PVC 27# Copper	25Ft.