



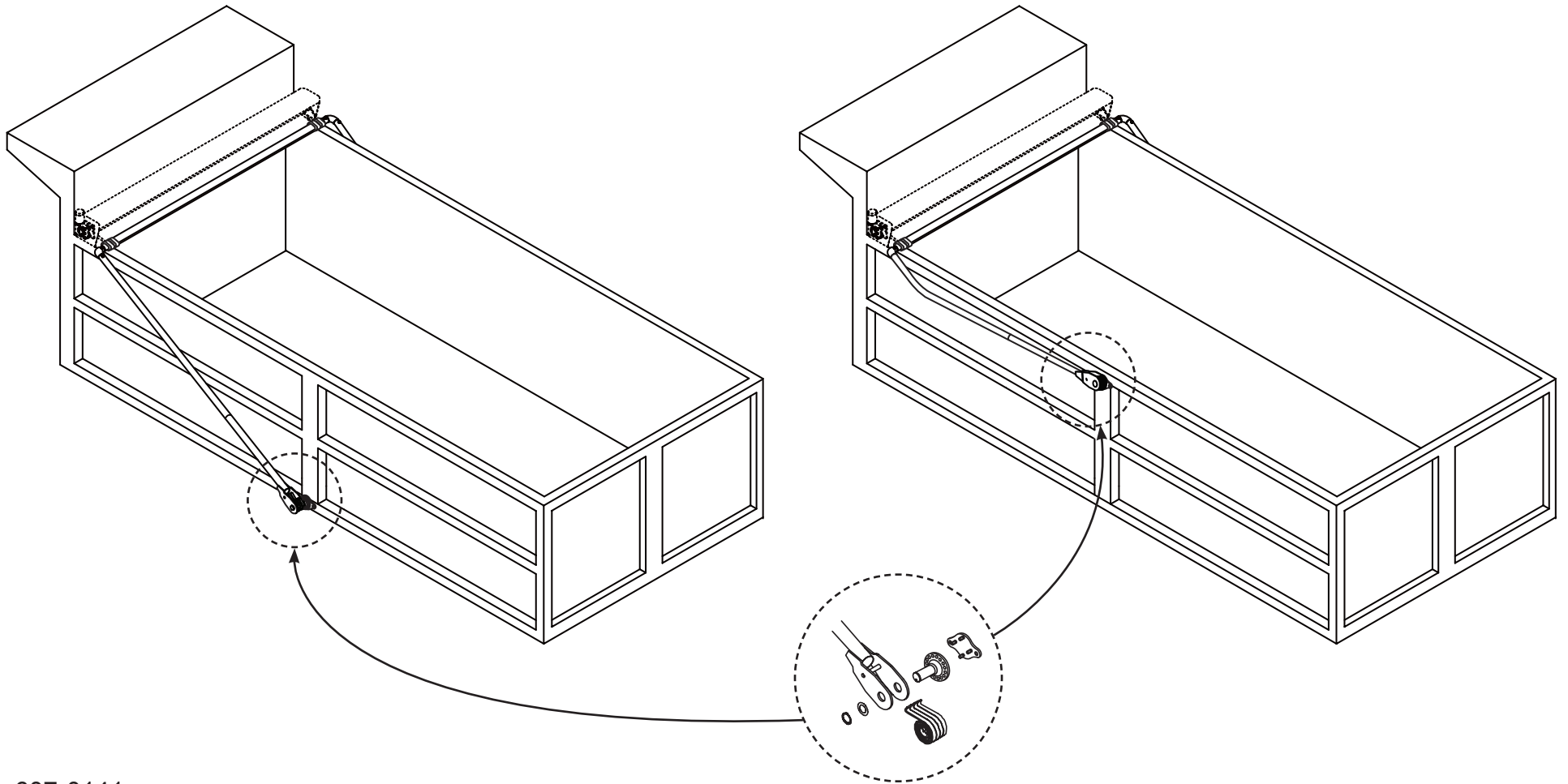
A Division of Roll Rite, LLC

1404 N. Marshall Ave. El Cajon CA. 92020

Steel Four (4) Spring Arm EZ-Mount System (Low & High Mount) Installation Instructions

WLH 09/25/17

501-1735 & 501-1736 (No Wire)
501-1755 & 501-1756 (With Wire)



607-0141

For technical support call us at (877) 861-6265 or visit our website at Pulltarps.com.



A Division of Roll Rite, LLC

1404 N. Marshall Ave. El Cajon CA. 92020

Steel Four (4) Spring Arm EZ-Mount System (Low & High Mount) Installation Instructions

TABLE OF CONTENTS

Assembly

Pivot Points and Mounting Locations	1
Arm Alignment, Tarp and Pull Bar Installation	2
Pivot Points and Mounting Locations (High Mount).....	3
Optional Flap Tarp, Rope and Hook Installation	4
Bungee Cord Installation	5
Flap, Rope and Rope Hook Placement	6
Plug Assembly	7

Parts

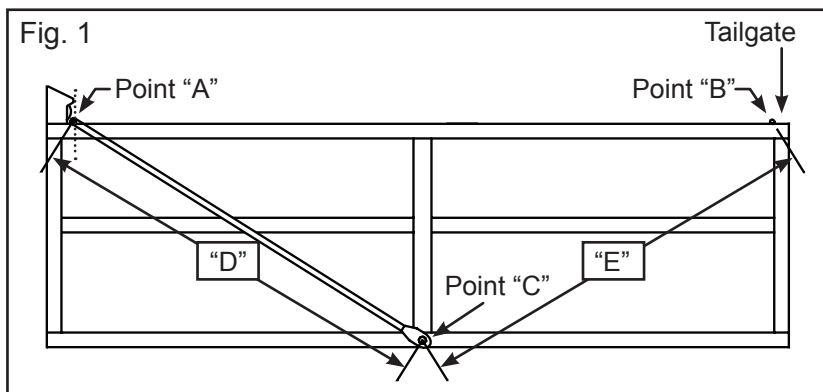
Steel Arms to 22'	8
4 Spring Housing Assembly	9

Steel Four (4) Spring Arm EZ-Mount System (Low & High Mount) Installation Instructions

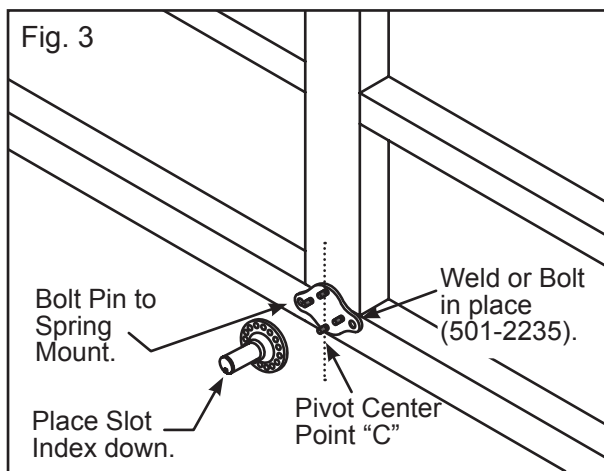
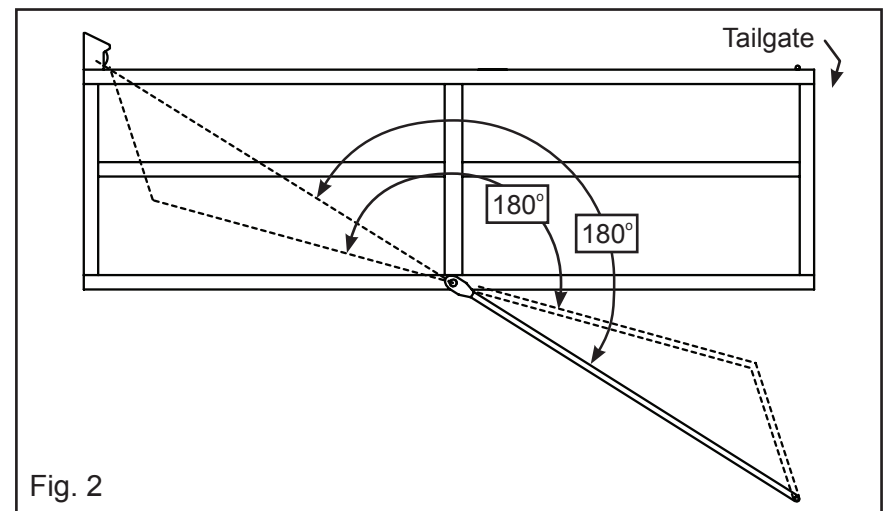
1404 N. Marshall Ave. El Cajon CA. 92020

Pivot Points and Mounting Locations

Step 1: Determining the Pivot Points and Mounting Locations on each side, careful measurement must be taken to insure that the arm and pivot assemblies are mounted square and parallel to the truck or trailer body. Locate the proper mounting positions by determining Point "A" and Point "B" and insuring measurement "D" and "E" are equal (Fig. 1). Point "C" must be located as low as possible and be the same on both sides.



Step 2 - Arm Preload: Install Arm and Pivot assemblies with Arm indexed (Fig. 2). Arms must be indexed with no spring load on pivots. Index Arm at 180 degrees of travel from the Roller Mechanism for proper preload of the spring. The dotted lines represent proper 180 degree preload position for applications with Bent Arms. Mark pivot pin location on box.



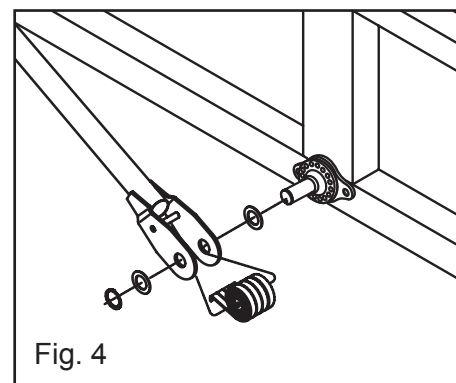
Step 3 - Mounting the Pivot Mount:

Locate the Pivot pin with marks made in step 2. Weld the Spring Mounting in place and then bolt on the Steel Adjustment Pin with the Slot Index down (Fig. 3).

Note: Applies to Low and High Mount.

Step 4 - Pivot & Spring Assembly:

Assemble the springs and pivot assembly (Fig. 4). Make sure assembly moves freely.

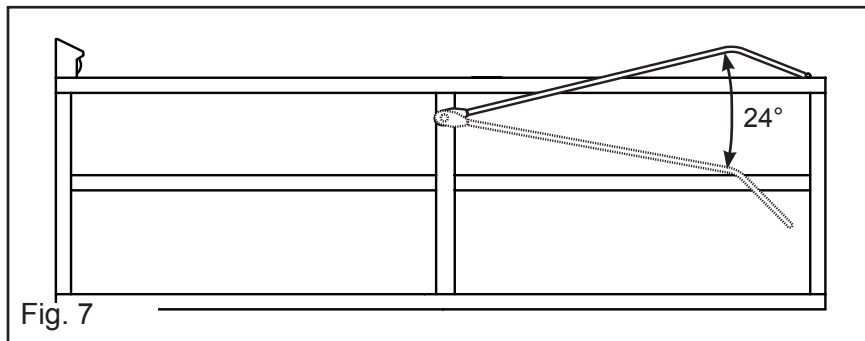
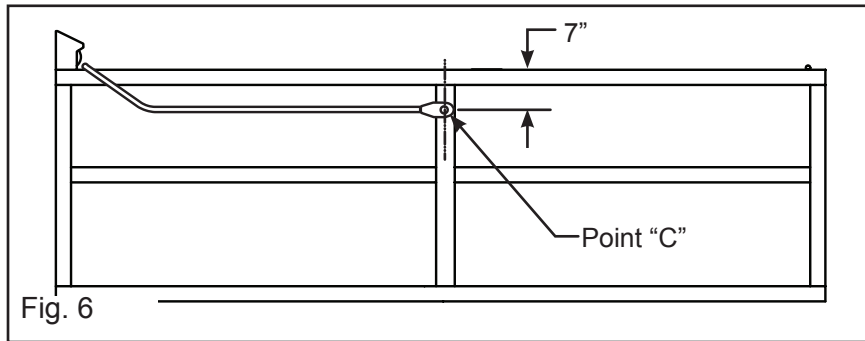
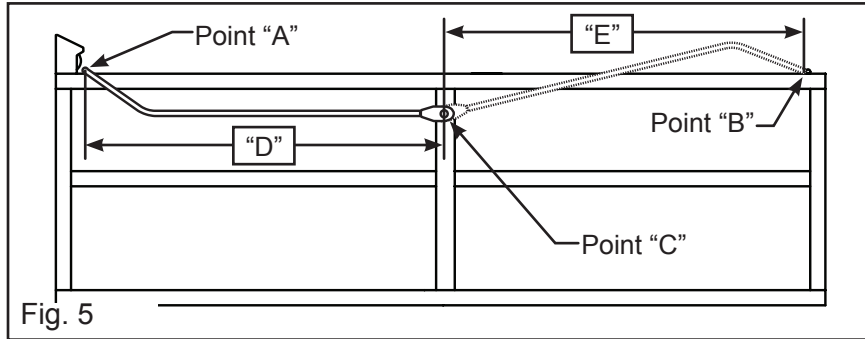


Steel Four (4) Spring Arm EZ-Mount System (Low & High Mount) Installation Instructions

1404 N. Marshall Ave. El Cajon CA. 92020

Pivot Points and Mounting Locations (High Mount)

Step 5: Careful measurements must be taken to insure that the arm and pivot assemblies are mounted square and parallel to the truck or trailer body. Locate the proper mounting positions by determining Point "A" and Point "B" and insuring measurement "D" and "E" are equal (Fig. 5). The pivot "C" should be 1/2 way between Point "A" and Point "B" and 7" below the top rail on both sides (Fig. 6).

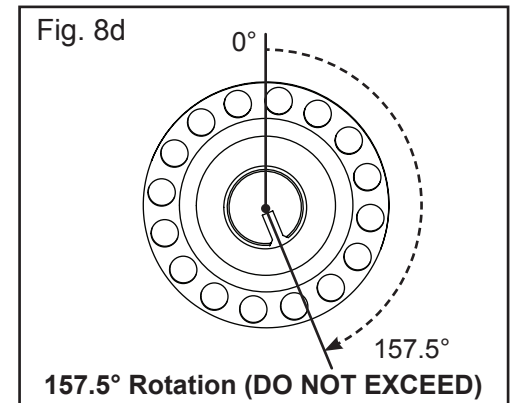
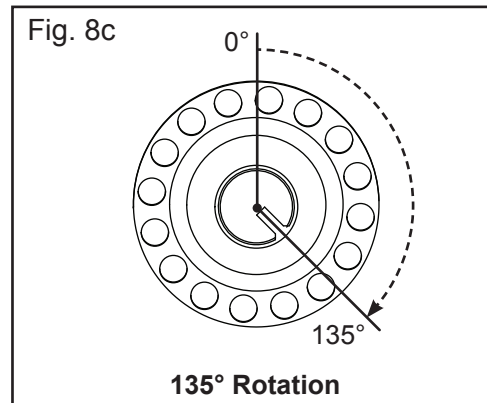
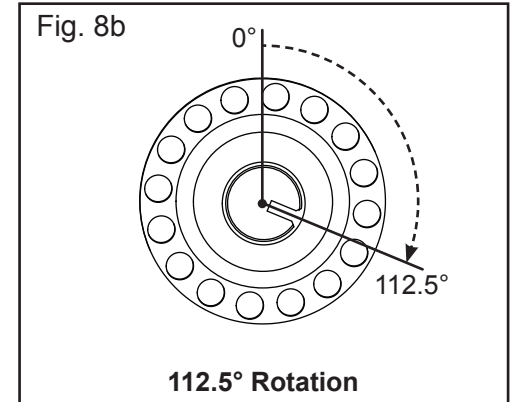
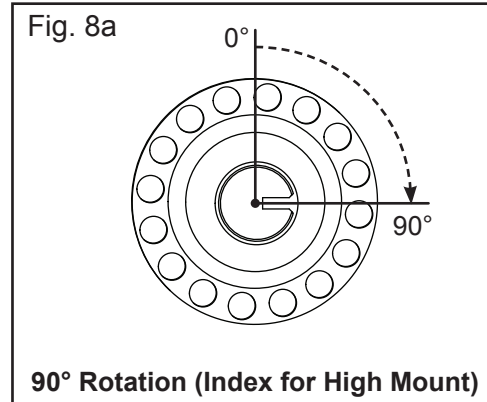


Step 6 - Arm Preload

Arm must be indexed with no load at 24 degrees to top rail for proper preload of springs (Fig. 7).

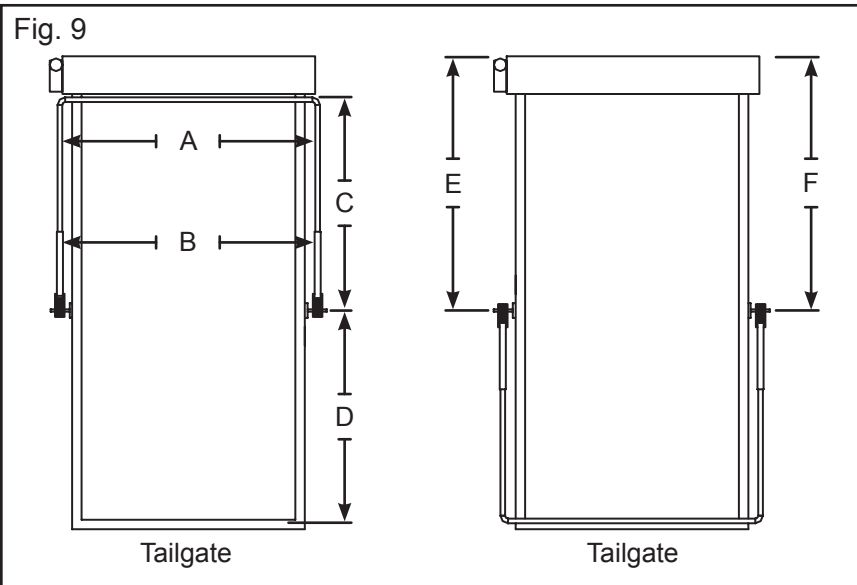
Step 7 - Setting the Index for EZ-Mount System (High Mount Only)

Indexing Illustrations below are for driver side index (Fig 8a, 8b, 8c & 8d).



Steel Four (4) Spring Arm EZ-Mount System (Low & High Mount) Installation Instructions

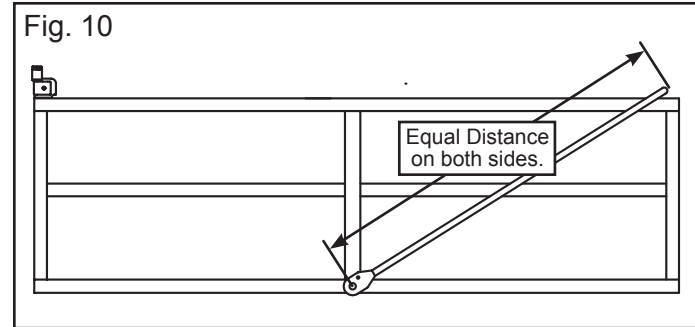
Arm Alignment, Tarp and Pullbar Installation



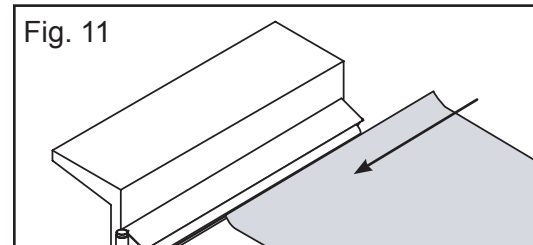
Step 8 - Correct Alignment of arm to truck:

Arms and pivots must be square and parallel to truck (Fig. 9).

(Dimension "A" must equal "B" - Dimension "C" must equal "D" - Dimension "E" must equal "F")

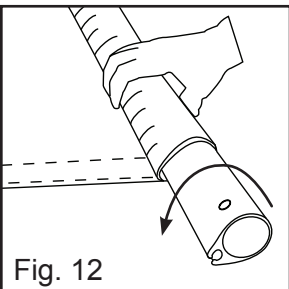


Step 9: Adjust the Arms on both sides to be the same length (Fig. 10).



Step 10 - Tarp Installation:

Slide Tarp into Groove on roller tube and center (Fig. 11).

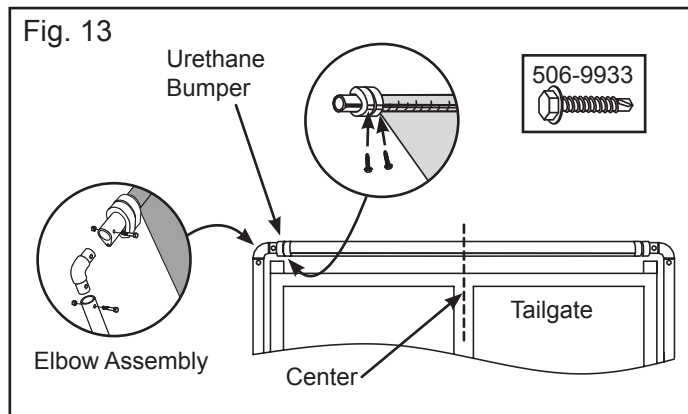


Step 11 - Installing The Pullbar:

Cut the pullbar to length making sure the arms remain parallel and square to the body.

Slide the tarp into groove in the pullbar and center the tarp.

Roll the tarp up on the pullbar two revolutions (Fig. 12).



Step 12: Fasten the tarp in place by sliding the two urethane bumpers on to the pullbar far enough to touch the edges of the tarp. Lock in place by installing a 1-1/2" long (506-9933) self drilling screw through the bumper and into the hem tube groove of the pullbar (Fig. 13).


For elbows, use the long bolts provided in the kit, when deployed to catch the rope on flap tarps.

Note: Tarp must be retracted when dumping.

Steel Four (4) Spring Arm EZ-Mount System (Low & High Mount) Installation Instructions

Optional Flap Tarp, Rope and Hook Installation

Parts:

Tie Down Hooks (Steel or Alum.) → 

Pull Down Hook → 

Note: The Location Of The Tie Down Hooks Is Critical!

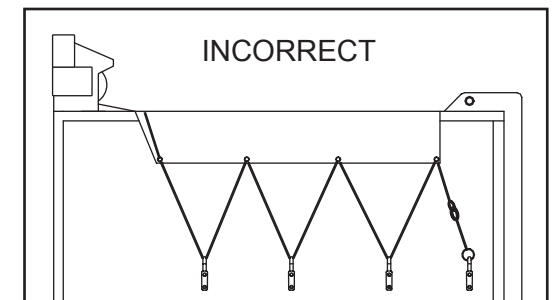
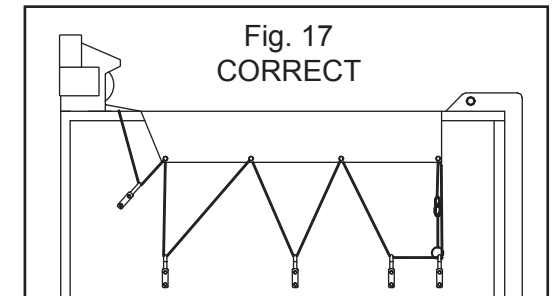
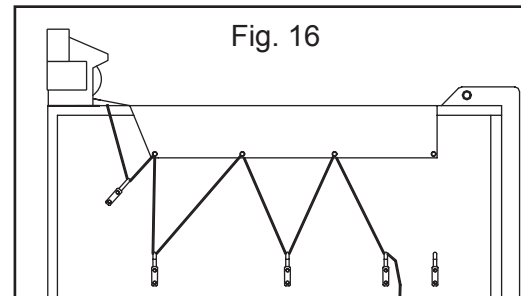
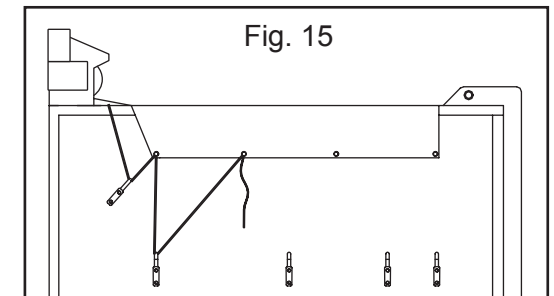
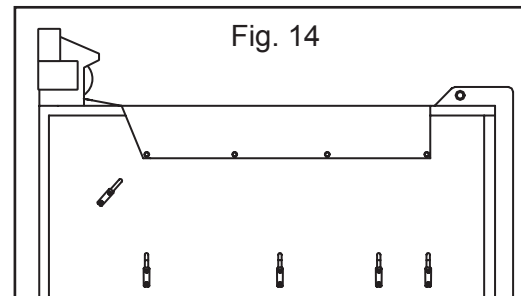
Step 13: Flip the braided rope over the corner so that the flaps and tie down ropes hang over each side of the box. The number of tie down hooks vary depending on the length of your tarp. One pull down hook is included with your Pulltarp system. If needed. Use the hook to pull the braided rope and flaps over the side of the box.

The tie down hooks must be positioned so that:

1. The tie down rope can be reached from the ground.
2. The bungee cord has to be stretched to reach the last hook (see **Step 14**).
3. The rope has no slack.
4. The tie down hooks are level with one another.

To ensure proper hook placement, first duct tape the rope to the box in place of the tie down hooks. Start with hook closest to the cab.

1. Position the first hook 6" (15.24cm) down and 12" (30.48cm) forward (toward the cab) from the first grommet (Fig. 14).
2. Position 2nd hook straight down from 1st grommet. This hook should be reached from ground (Fig.15).
3. Place middle hooks equal distances from grommet (Fig.16). These hooks should be placed at the same height as the second hook.
4. Position last hook (closest to the tailgate) below the last grommet at the same height as the others (Fig.17).
5. Weld hooks in place.



Steel Four (4) Spring Arm EZ-Mount System (Low & High Mount) Installation Instructions

1404 N. Marshall Ave. El Cajon CA. 92020

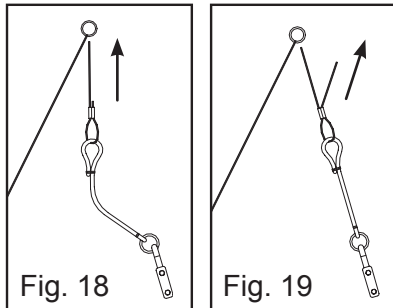
Bungee Cord Installation

Parts:



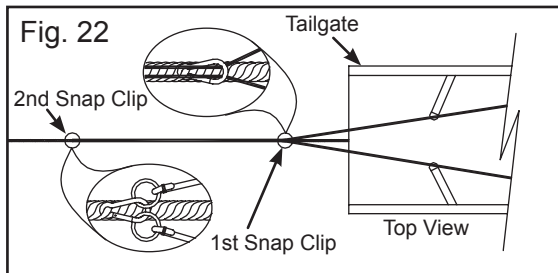
Step 14: After side hooks are installed, the tie down rope must be installed and cut to proper length. It is important to get all of the slack out of the rope to prevent blowing and rubbing of flaps in windy conditions.

Tarps with Tie Downs



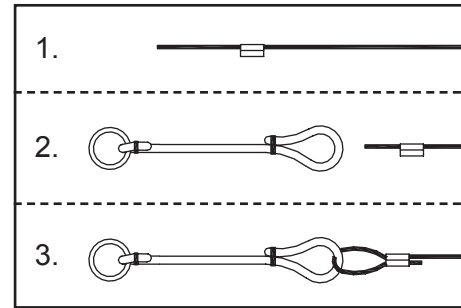
To tighten, pull loose end of rope through the Oval Compression Sleeve (Fig. 18). Stretch the bungee cord making sure all slack is taken out of the rope, crimp compression sleeve (Fig. 19).

Snap Clip Installation



Flip the rope back on top of the tarp, making sure to hold the bungee at all times. The first snap clip is factory installed 5'-6' from the pullrod. Open the clip and enclose the rope. Weave the second clip through the main pullrope where the ends of the bungee cords meet the main pullrope. Make sure the rope is taught when clipped (Fig. 22).

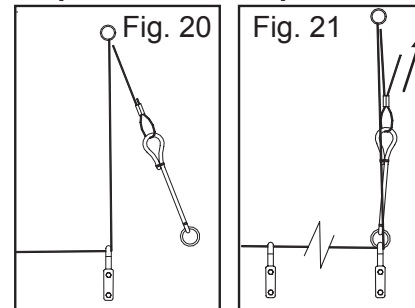
Note: First snap clip should not be used on long wheel base belly dumps.



Connect Bungee Cord to Rope

1. Thread braided rope through Oval Compression Sleeve.
2. Feed rope through the eye of the bungee cord.
3. Thread the rope back through the oval compression sleeve. Adjust for proper length. Crimp compression sleeve.

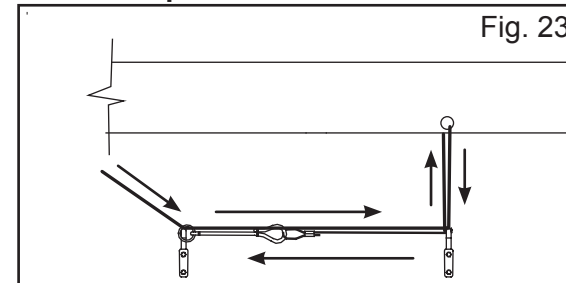
Tarps with Side Flaps



To tighten, pull loose end of rope through the Oval Compression Sleeve (Fig. 20). Stretch the bungee cord making sure all slack is taken out of the rope, crimp compression sleeve (Fig. 21).

Note: Check for proper placement of rope through the last two hooks.

Excess Rope

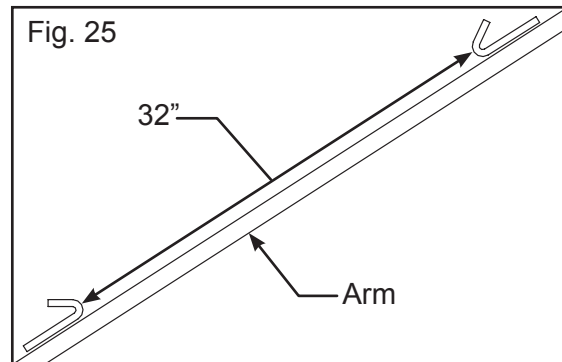
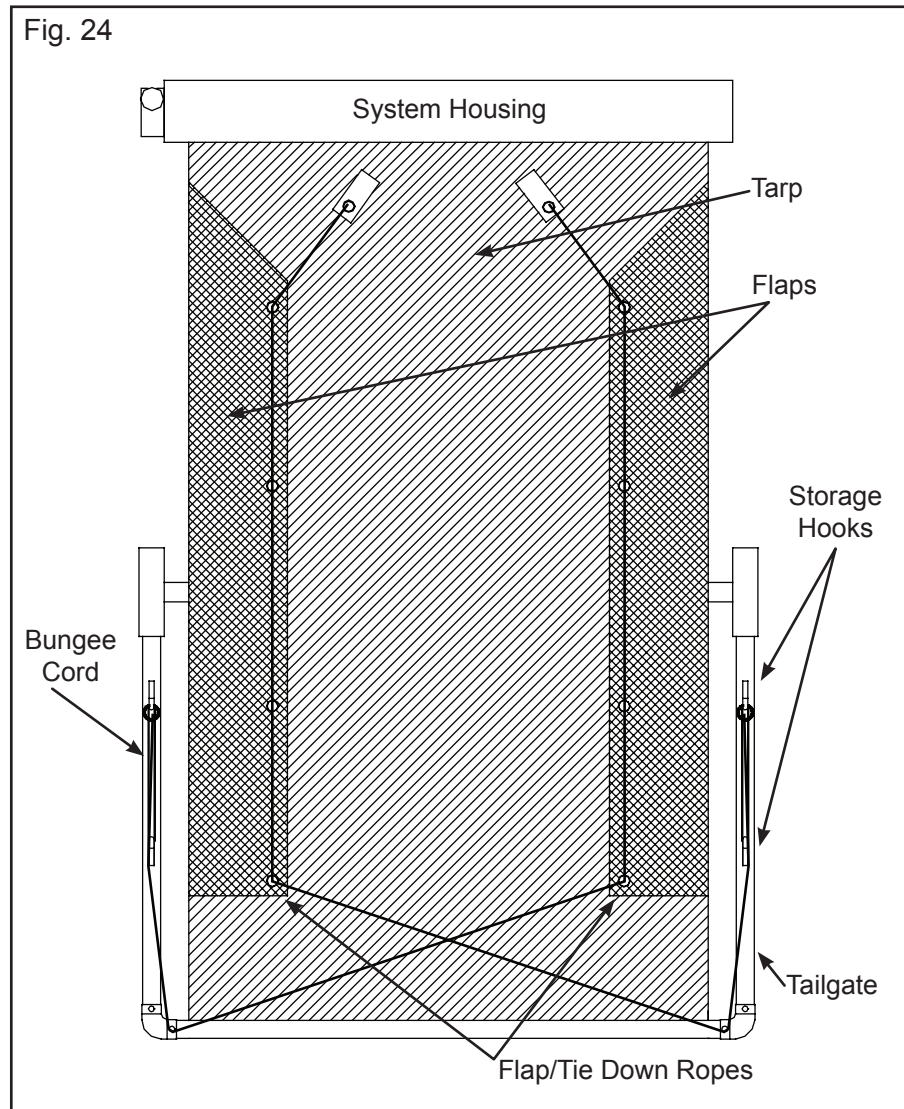


You may need extra rope to keep the side flap system ground operated. If your application requires extra rope, the slack needs to be taken up by attaching the end of the bungee cord to an alternate hook (Fig. 23).

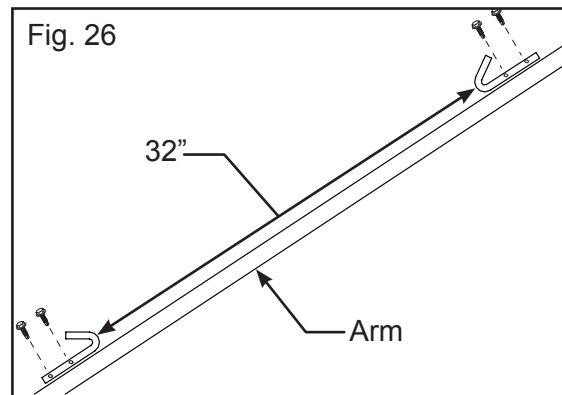
Steel Four (4) Spring Arm EZ-Mount System (Low & High Mount) Installation Instructions

Flap, Rope and Rope Hook Placement

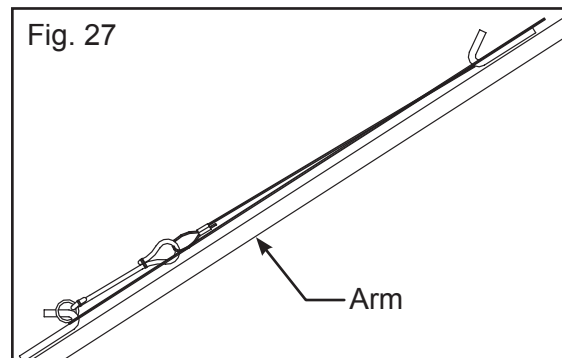
Step 15 - Flap / Tie Down Rope Placement and Installation (Fig. 24).



Step 16 - Rope Hook Placement: Weld rope storage hook on the top of the arms approx. 32" apart (Fig. 25).



Step 17 - Rope Hook Placement For Aluminum Arms: Use Self Drilling screws (part #506-9933) to install hooks (Fig. 26).



Step 18 - Rope storage on Arms (Fig. 27).

Plug Assembly

Step 19: Assemble the Quick Disconnect (Fig. 28, 29 & 30).
Option #1, Plug Assembly - Part # 514-0505.

Fig. 28

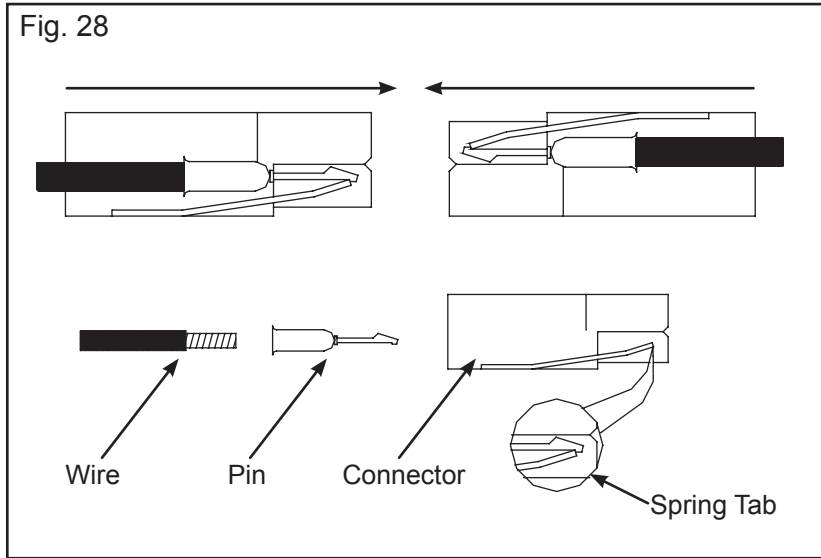
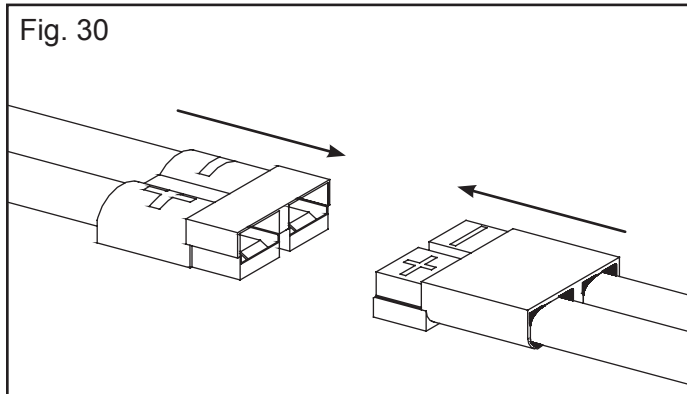
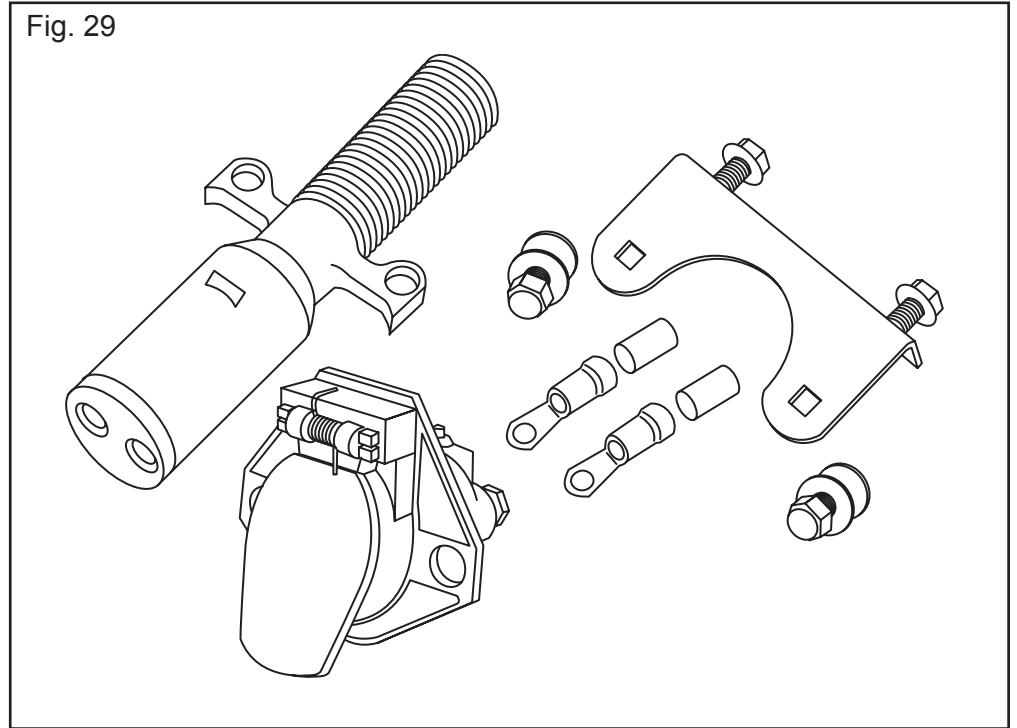


Fig. 30



Option #2, Plug Assembly - Part # 514-0501.

Fig. 29



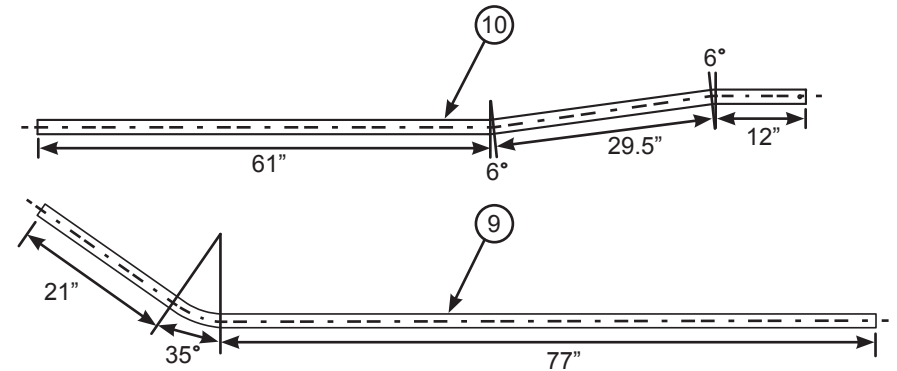
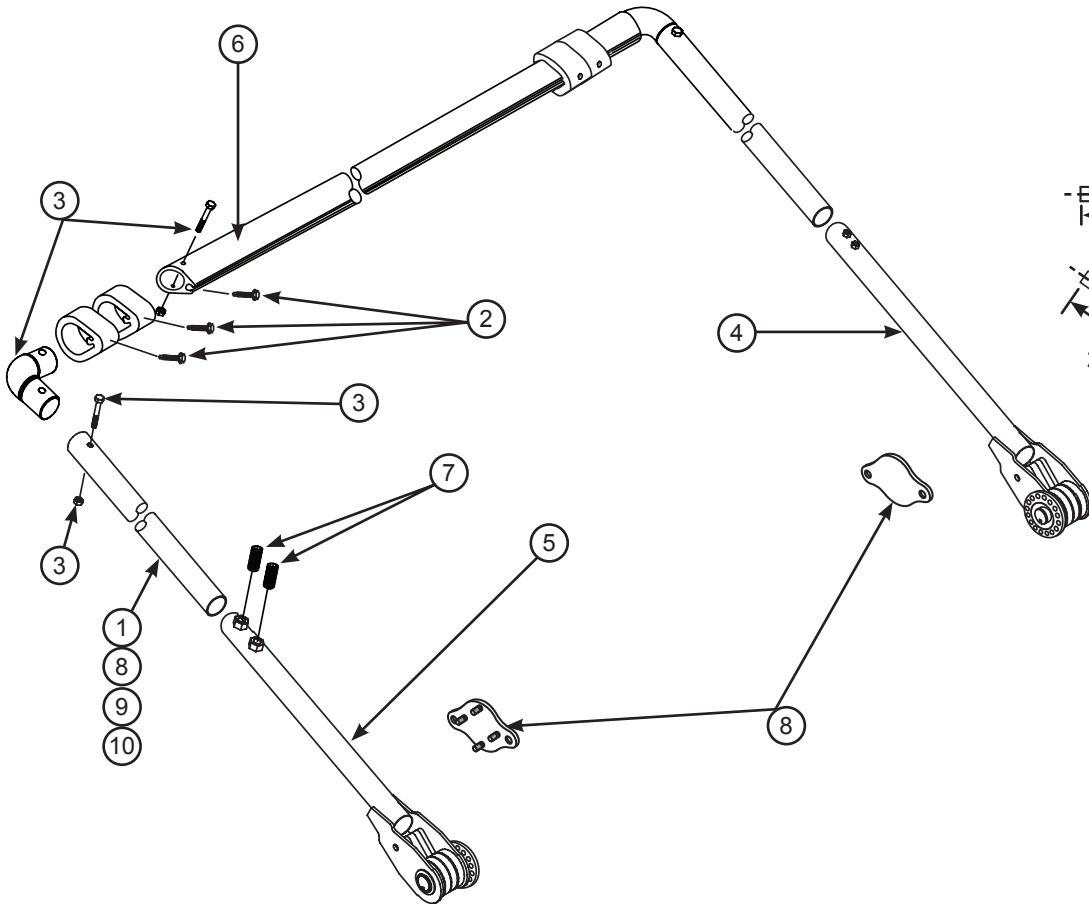


Steel Four (4) Spring Arm EZ-Mount System (Low & High Mount) Installation Instructions

1404 N. Marshall Ave. El Cajon CA. 92020

Steel Arms to 22' (Part # 501-1735, 501-1736, 501-1755, 501-1756)

Arm Options



ITEM	PART #	DESCRIPTION	QTY
1	501-1202	Steel Upper Arm Tubing	2
2	501-1293	Tear Drop Bumper Kit	1
3	501-1251	Elbow Kit (For Steel)	1
4	501-2207	4-Spring Housng-Driver Side	1
5	501-2208	4-Spring Housing-Passenger Side	1
6	501-0430	Universal Tear Drop Pullrod	1
7	501-0430	1/2" - 13 x 3/4" Set Screw	4
8	501-2235	3/8" EZ-Mount System	2
ITEM	PART #	ARM OPTIONS - DESCRIPTION	QTY
9	501-1205	Upper Arm Tubing, Drilled and Bent	2
10	501-1207	Offset Upper Arm Tube	2

Illustration view shown looking from passenger side to rear of vehicle.

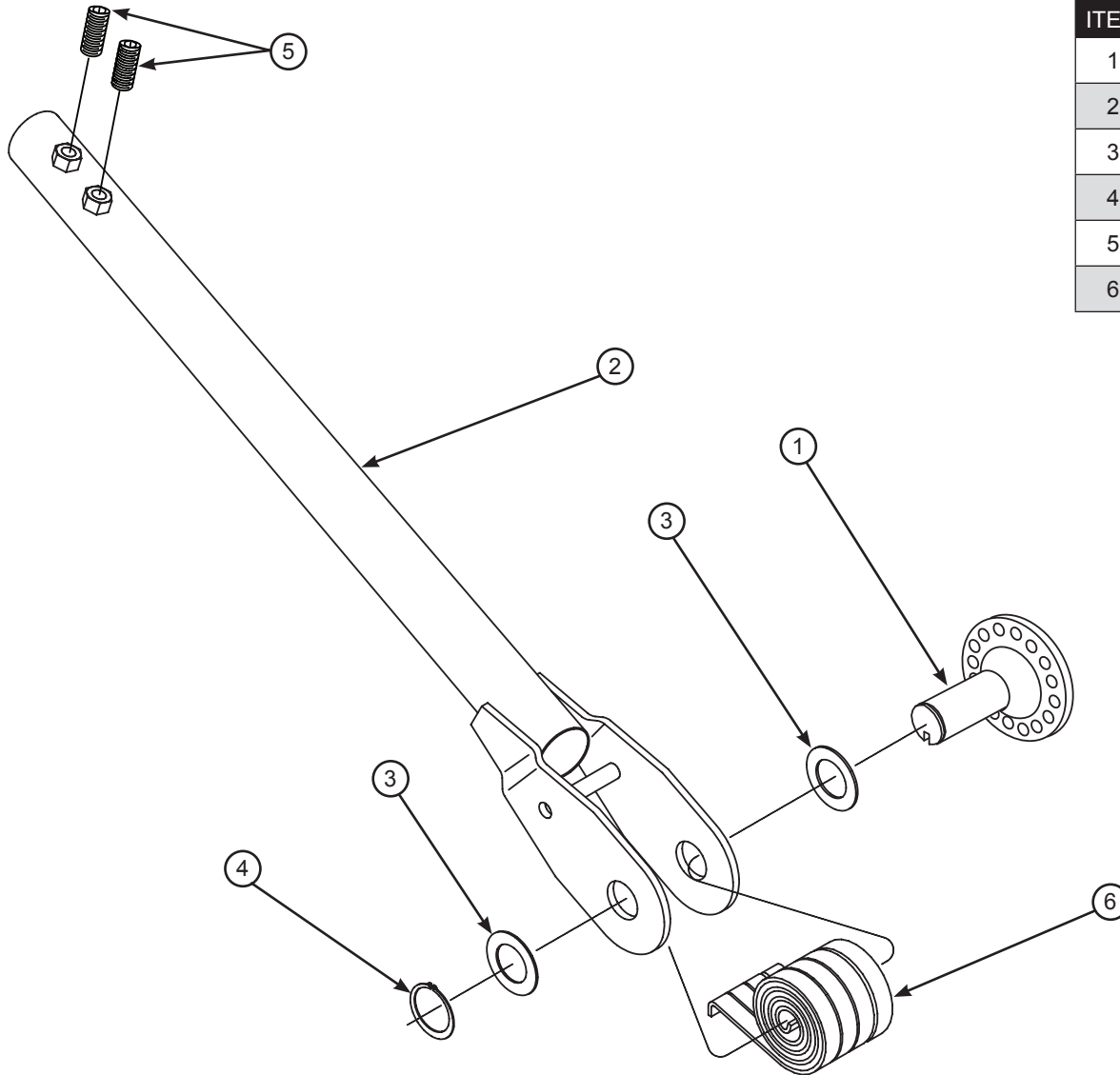
WLH 09/25/17



1404 N. Marshall Ave. El Cajon CA. 92020

Steel Four (4) Spring Arm EZ-Mount System (Low & High Mount) Installation Instructions

4 Spring Housing Assembly (Part # 501-2207 Opposite & 501-2208 Shown)



ITEM	PART #	DESCRIPTION	QTY
1	501-2243	Pivot Assembly, Steel Adj. 4 Spring	1
2	501-1110	4-Spring Side Plate Assembly	1
3	501-1162	Washer, 1-7/8" x 1-1/4" Narrow Rim	2
4	506-0101	1-1/4" Snap Ring	1
5	503-5008	1/2" - 13 x 3/4" Set Screw	4
6	517-9921	Small Spring for Arm System	4

BAB REV. 12/3/08